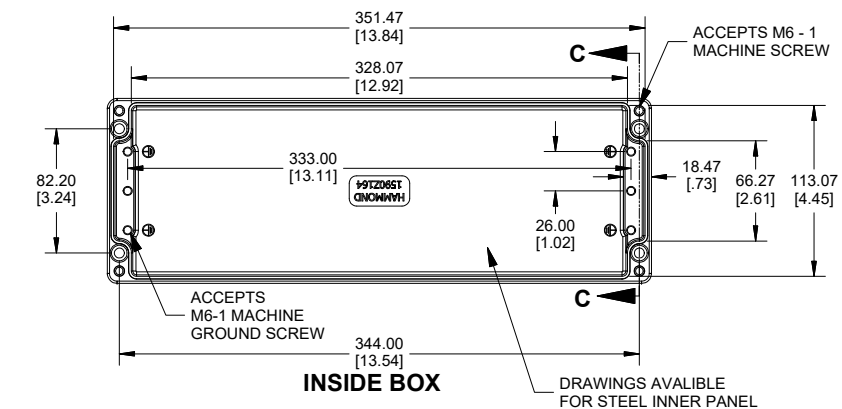
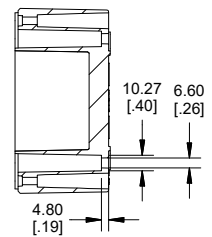


SECTION B-B SIDE VIEW

INSIDE LID



SECTION C-C MOUNTING HOLE



UL US LISTED
 FILE #E65324
 NEMA 4, 4X, 6, 6P

Enclosures can be Factory Modified (Milling, Drilling, Printing etc.)
 Contact Factory (modshop@hammfg.com) for quotes
 Solid models of this enclosure available in .stp or .x_t
 (Part number and text placement/orientation on our products are subject to change,
 we do not recommend using them as a locating reference for modification purposes)

NOTE	
Purchased assembly includes box, lid, silicone gasket, 4 cover screws and 4 ground screws with washers.	
Box and lid are made from Diecast Aluminum Alloy.	
Recommended cover screw Torque 17.7-18.6 lbf.in (200 -210 cN.m)	

1590Z164	
1590Z164 Enclosure	
Natural Enclosure	1590Z164
Black Enclosure	1590Z164BK
Grey Enclosure - RAL7001 Gloss	1590Z164GY
ACCESSORIES	
Steel Inner Panel	1590Z164PL
Pre-Formed Silicone Gasket (2 Pack)	1590Z164G
Copper Ground Hardware (20 Pack) [M6 - 1.0 X 10mm / M6 Washer]	SCGM6-20
Stainless Cover screws (12 pkg) [M6 - 1.0 x 28mm]	SC599-12

HAMMOND MANUFACTURING
1590Z164
www.hammondmfg.com

Dimensions:
 mm
 [inches]