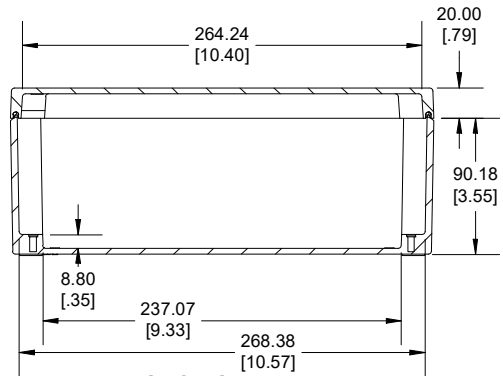
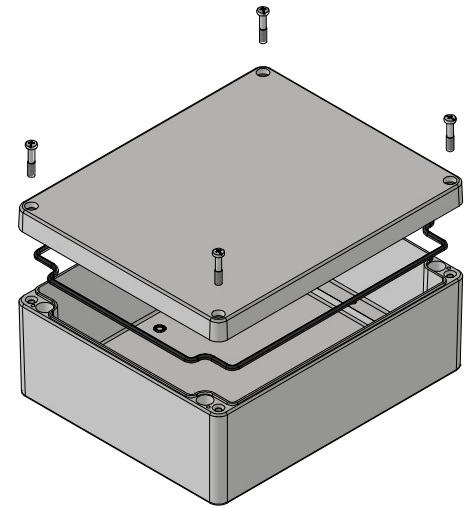
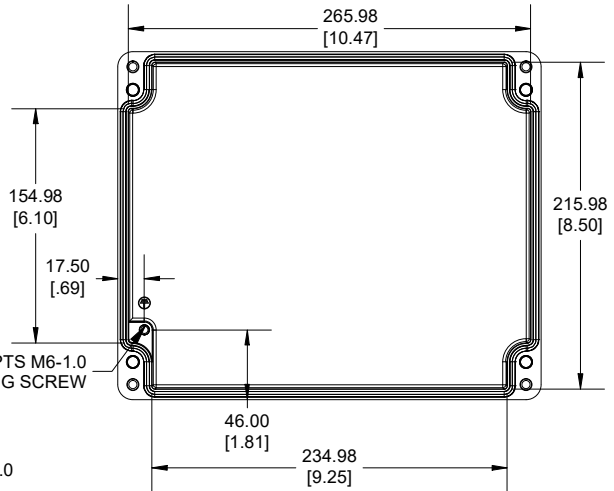


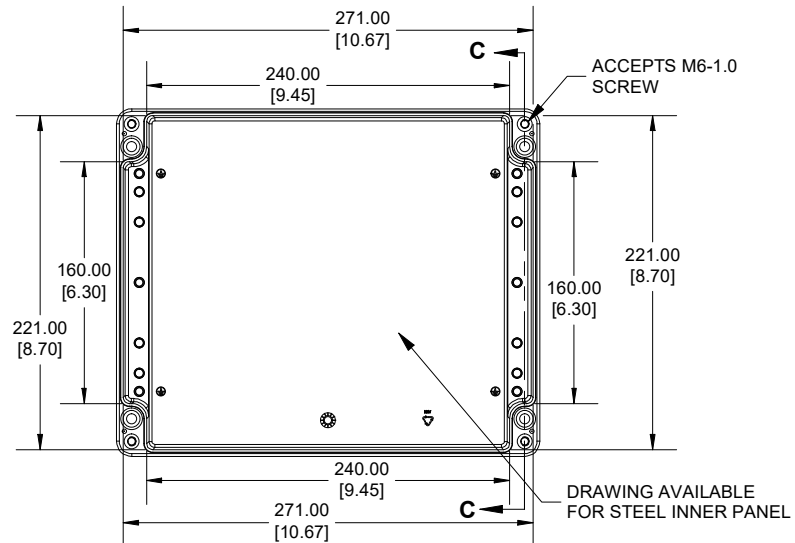
SECTION A-A



SECTION B-B



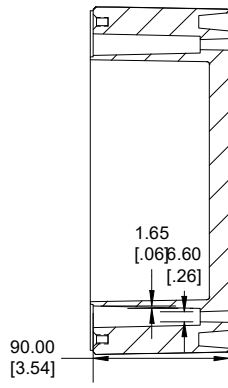
SECTION C-C



ACCEPTS M6-1.0 GROUNDING SCREW

ACCEPTS M6-1.0 SCREW

DRAWING AVAILABLE FOR STEEL INNER PANEL



Enclosures can be Factory Modified (Milling, Drilling, Printing etc.)
 Contact Factory (modshop@hammfg.com) for quotes
 Solid models of this enclosure available in .stp or .x_t
 (Part number and text placement/orientation on our products are subject to change, we do not recommend using them as a locating reference for modification purposes)

NOTE
 Purchased assembly includes box, lid, silicone gasket, 4 cover screws and 4 ground screws with washers.
 Box and lid are made from Diecast Aluminum Alloy.

Recommended cover screw Torque 15-17 lbf.in (150 -170 cN.m)

1590Z233	
1590Z233 Enclosure	
Natural Enclosure	1590Z233
Black Enclosure	1590Z233BK
Grey Enclosure - RAL7001 Gloss	1590Z233GY
ACCESSORIES	
Steel Inner Panel	1590Z233PL
Pre-Formed Silicone Gasket (2 Pack)	1590Z233G
Copper Ground Hardware (20 Pack) [M6 - 1.0 X 10mm / M6 Washer]	SCGM6-20
Stainless Cover screws (12 pkg) [M6 - 1.0 x 28mm PN]	SC599-12



HAMMOND
 1590Z233
www.hammondmfg.com

Dimensions:
 mm
 [inches]