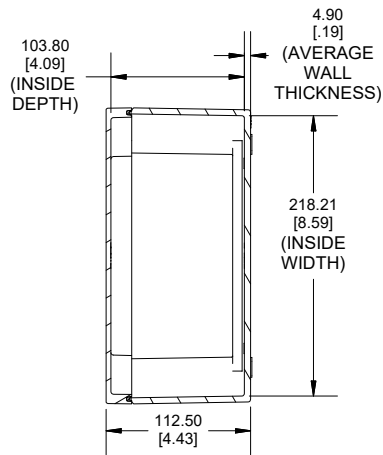
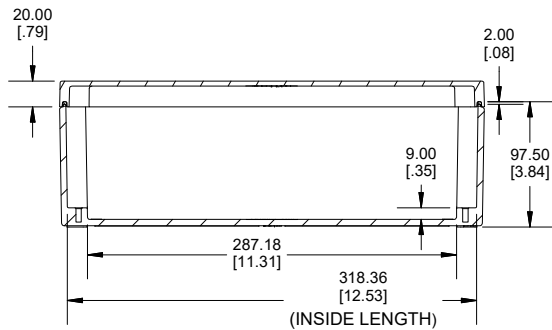
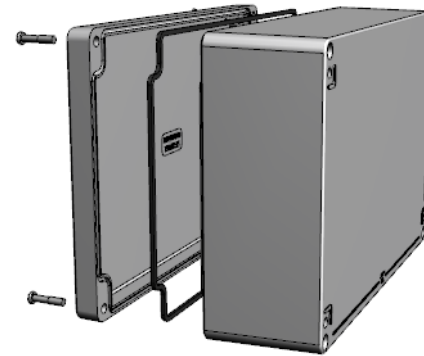


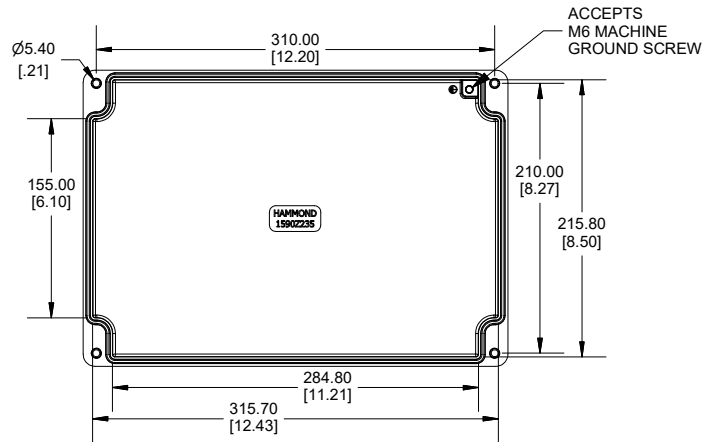
**TOP VIEW**



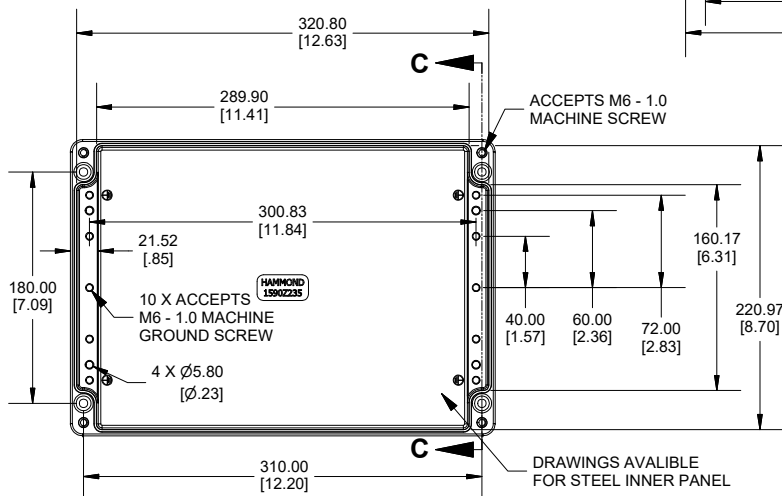
**SECTION A-A  
END VIEW**



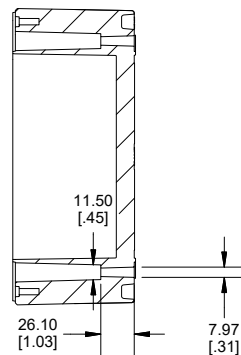
**SECTION B-B  
SIDE VIEW**



**INSIDE LID**



**INSIDE BOX**



**SECTION C-C  
MOUNTING HOLE**



Enclosures can be Factory Modified (Milling, Drilling, Printing etc.)  
 Contact Factory ([modshop@hammfg.com](mailto:modshop@hammfg.com)) for quotes  
 Solid models of this enclosure available in .stp or .x\_t  
 (Part number and text placement/orientation on our products are subject to change,  
 we do not recommend using them as a locating reference for modification purposes)

**NOTE**

Purchased assembly includes box, lid, silicone gasket,  
 4 cover screws and 4 ground screws with washers.  
 Box and lid are made from Diecast Aluminum Alloy.

**Recommended cover screw Torque 17.7-18.6 lbf.in (200 -210 cN.m)**

<b>1590Z235</b>	
<b>1590Z235 Enclosure</b>	
Natural Enclosure	1590Z235
Black Enclosure	1590Z235BK
Grey Enclosure - RAL7001 Gloss	1590Z235GY
<b>ACCESSORIES</b>	
Steel Inner Panel	1590Z235PL
Pre-Formed Silicone Gasket (2 Pack)	1590Z235G
Copper Ground Hardware (20 Pack) [M6 - 1.0 X 10mm / M6 Washer]	SCGM6-20
Stainless Cover screws (12 pkg) [M6 - 1.0 x 28mm]	SCS99-12
Copper Ground Hardware For Lid (50 Pack) [M4 - 0.7 X 6mm / M4 Washer]	SCGM4-50

Dimensions:  
 mm  
 [inches]

**HAMMOND  
 MANUFACTURING®**  
**1590Z235**  
[www.hammondmfg.com](http://www.hammondmfg.com)