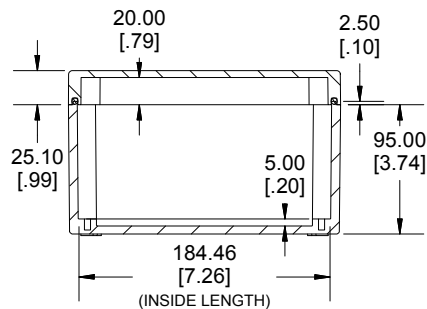
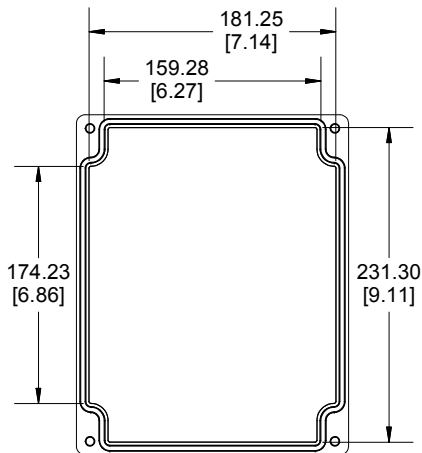


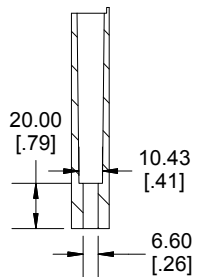
TOP VIEW



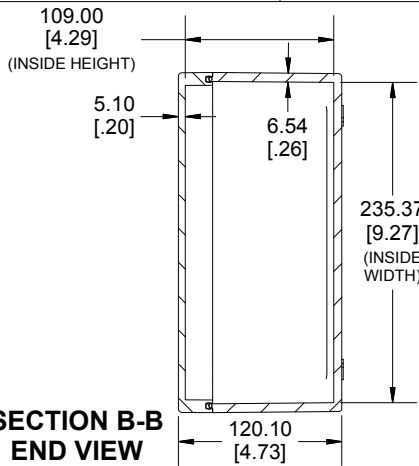
**SECTION A-A
SIDE VIEW**



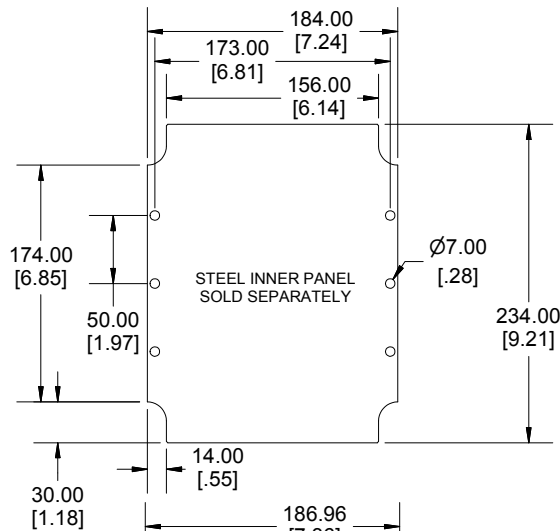
INSIDE LID



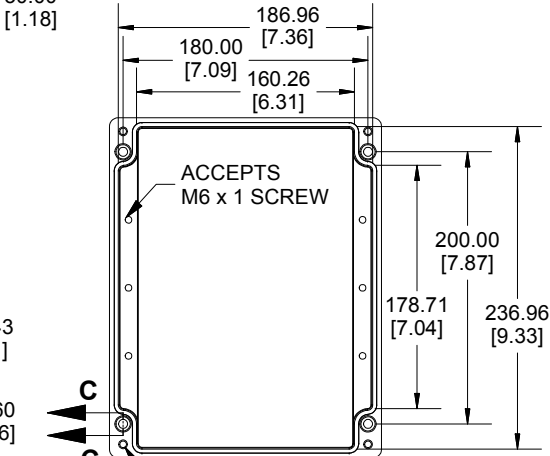
**SECTION C-C
MOUNTING HOLE**



**SECTION B-B
END VIEW**

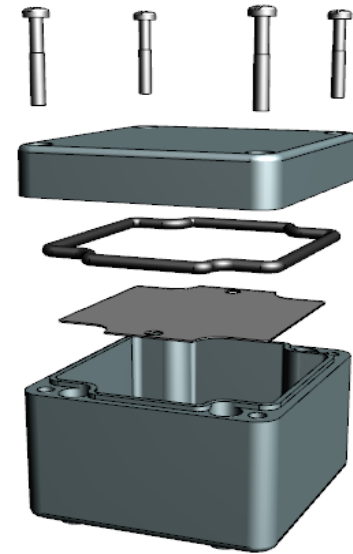


STEEL INNER PANEL
SOLD SEPARATELY



INSIDE BOX

Dimensions:
mm
[inches]



Enclosures can be Factory Modified (Milling, Drilling, Printing etc.)
Contact Factory mjm@hammondmfg.com for quotes
Solid models of this enclosure available in STEP or IGES.
(Part number and text placement/orientation on our products are subject to change,
we do not recommend using them as a locating reference for modification purposes)

NOTE

Purchased assembly includes Box, Lid, Gasket and 4 cover screws
Enclosure Molded from Glass Reinforced Polyester
Recommended cover screw torque 8-9.5 lbf.in (90-110 cN.m)

PART NUMBERS

1590ZGRP233 Enclosure	
Grey Enclosure	1590ZGRP233
ACCESSORIES	
Copper Ground Hardware (20 Pack) [M6 - 1.0 X 6mm / M6 Washer]	SCGM6GRP-20
Stainless Steel Cover Screw (20 Pack) [M6 - 1.0 x 30mm]	SC570-20
Steel Inner Panel	1590ZGRP233PL
Hinge Kit (2 Pack)	1427HK

