

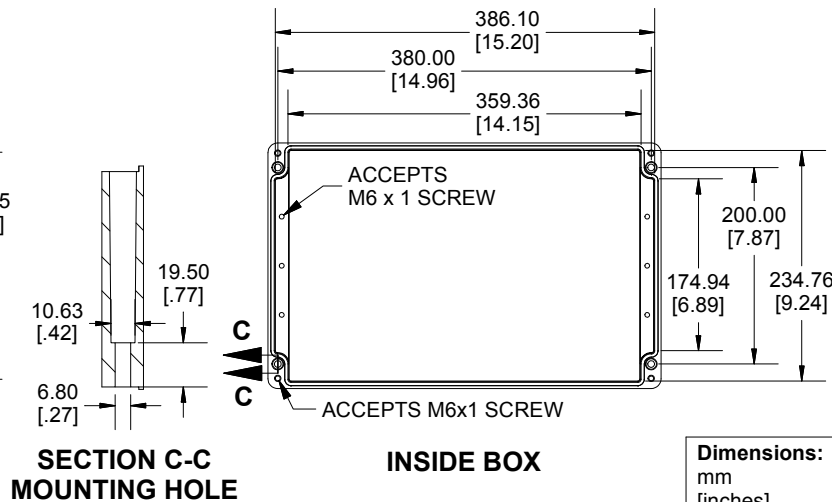
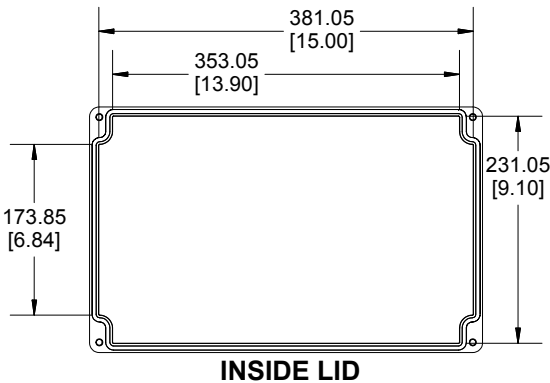
Enclosures can be Factory Modified ( Milling, Drilling, Printing etc.)  
Contact Factory [mjm@hammondmfg.com](mailto:mjm@hammondmfg.com) for quotes  
Solid models of this enclosure available in STEP or IGES.  
(Part number and text placement/orientation on our products are subject to change, we do not recommend using them as a locating reference for modification purposes)

**NOTE**

Purchased assembly includes Box, Lid, Gasket and 4 cover screws  
Enclosure Molded from Glass Reinforced Polyester  
**Recommended cover screw torque 8-9.5 lbf.in (90-110 cN.m)**

**PART NUMBERS**

<b>1590ZGRP243 Enclosure</b>	
Grey Enclosure	1590ZGRP243
<b>ACCESSORIES</b>	
Copper Ground Hardware (20 Pack) [M6 - 1.0 X 6mm / M6 Washer]	SCGM6GRP-20
Stainless Steel Cover Screw (20 Pack) [M6 - 1.0 x 30mm]	SC570-20
Steel Inner Panel	1590ZGRP243PL
Hinge Kit (2 Pack)	1427HK



Dimensions:  
mm  
[inches]

