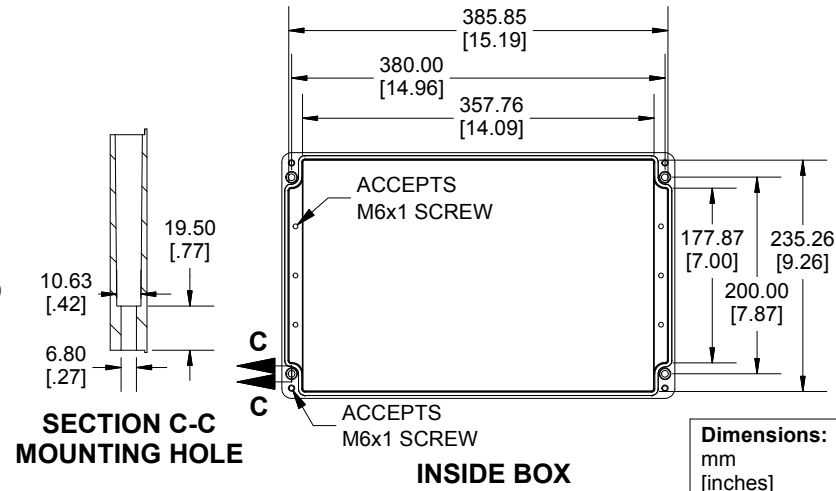
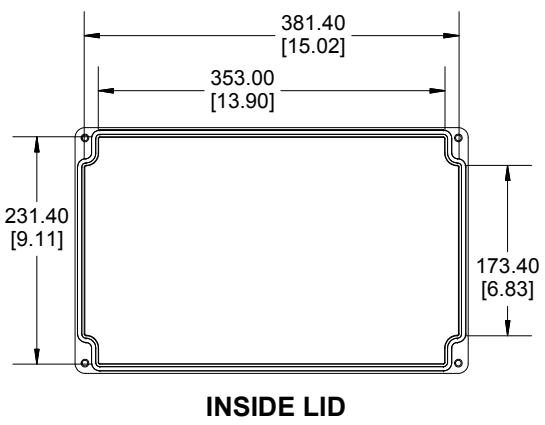


Enclosures can be Factory Modified ( Milling, Drilling, Printing etc.)  
 Contact Factory [mjm@hammondmfg.com](mailto:mjm@hammondmfg.com) for quotes  
 Solid models of this enclosure available in STEP or IGES.  
 (Part number and text placement/orientation on our products are subject to change,  
 we do not recommend using them as a locating reference for modification purposes)

NOTE	
Purchased assembly includes Box, Lid, Gasket and 4 cover screws	
Enclosure Molded from Glass Reinforced Polyester	
<b>Recommended cover screw torque 8-9.5 lbf.in (90-110 cN.m)</b>	



Dimensions:  
mm  
[inches]

PART NUMBERS	
1590ZGRP244 Enclosure	
Grey Enclosure	1590ZGRP244
ACCESSORIES	
Copper Ground Hardware (20 Pack) [M6 - 1.0 X 6mm / M6 Washer]	SCGM6GRP-20
Stainless Steel Cover Screw (12 Pack) [M6 - 1.0 x 70mm]	SC571-12
Steel Inner Panel	1590ZGRP243PL
Hinge Kit (2 Pack)	1427HK

**HAMMOND  
MANUFACTURING**

**1590ZGRP244**

[www.hammondmfg.com](http://www.hammondmfg.com)