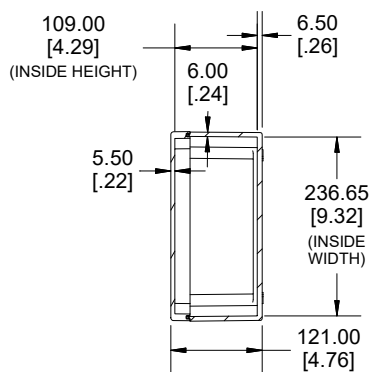
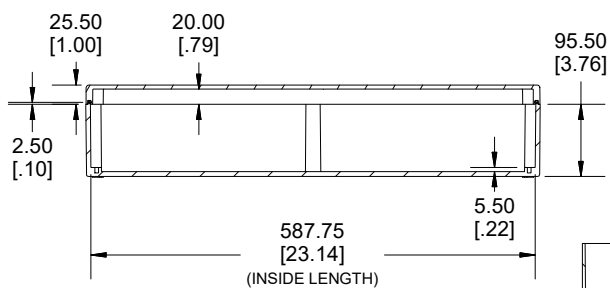
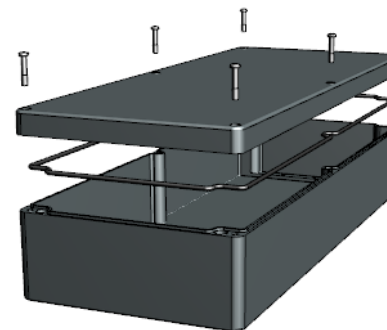


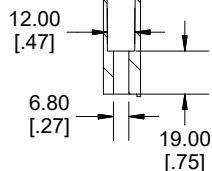
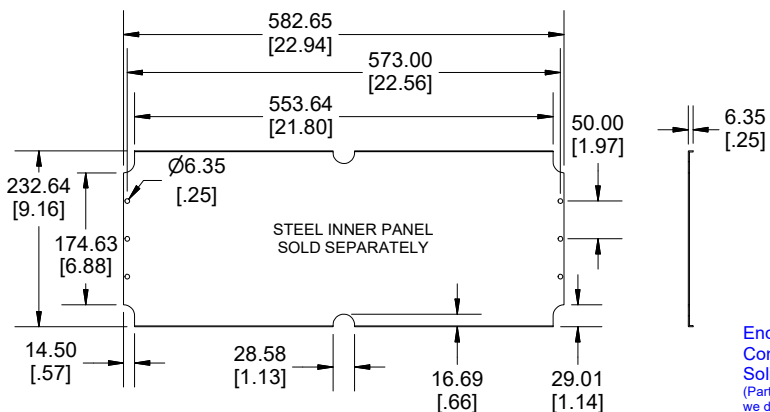
TOP VIEW



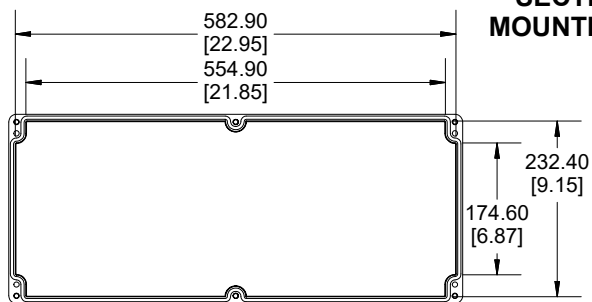
SECTION A-A
END VIEW



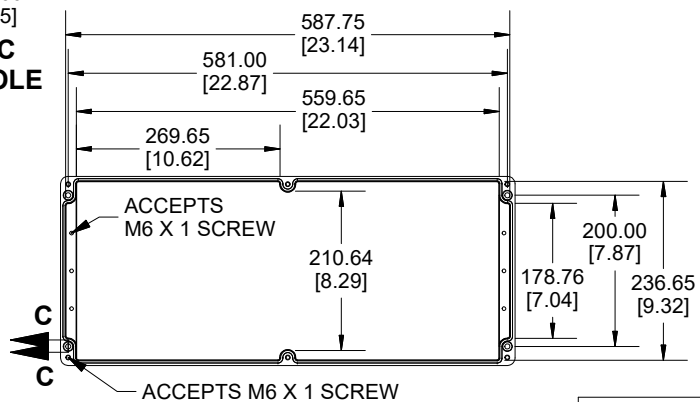
SECTION B-B
SIDE VIEW



SECTION C-C
MOUNTING HOLE



INSIDE LID



INSIDE BOX

Dimensions:
mm
[inches]



Enclosures can be Factory Modified (Milling, Drilling, Printing etc.)
Contact Factory (modshop@hammfg.com) for quotes
Solid models of this enclosure available in .stp or .x_t
(Part number and text placement/orientation on our products are subject to change,
we do not recommend using them as a locating reference for modification purposes)

NOTE

Purchased assembly includes Box, Lid, Gasket and 6 cover screws
Enclosure Molded from Glass Reinforced Polyester

Recommended cover screw torque 13.3-17.7 lbf.in (150-200 cN.m)

PART NUMBERS

1590ZGRP263 Enclosure	
Black Enclosure	1590ZGRP263BK
ACCESSORIES	
Copper Ground Hardware (20 Pack) [M6 - 1.0 X 6mm / M6 Washer]	SCGM6GRP-20
Stainless Steel Cover Screw (20 Pack) [M6 - 1.0 x 30mm]	SC570-20
Steel Inner Panel	1590ZGRP263PL
Hinge Kit Black (2 Pack)	1427HKBK

**HAMMOND
MANUFACTURING®**
1590ZGRP263BK
www.hammondmfg.com