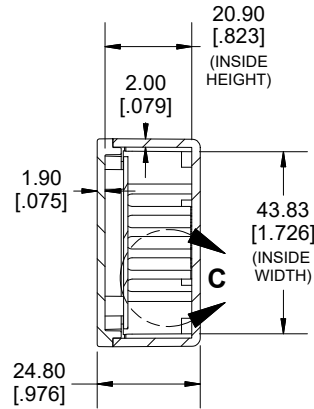
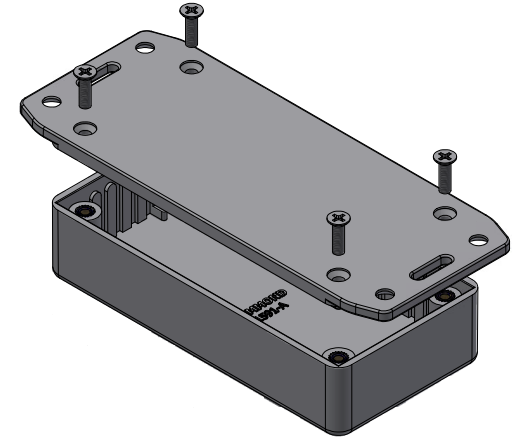


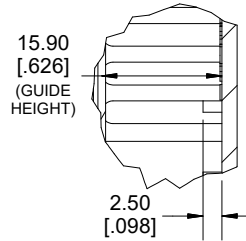
TOP VIEW



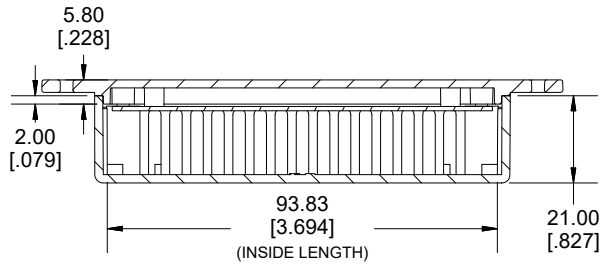
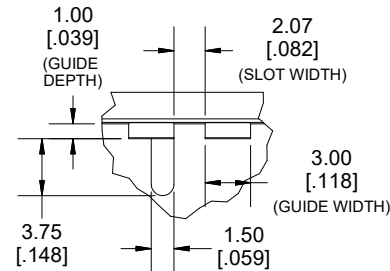
SECTION A-A



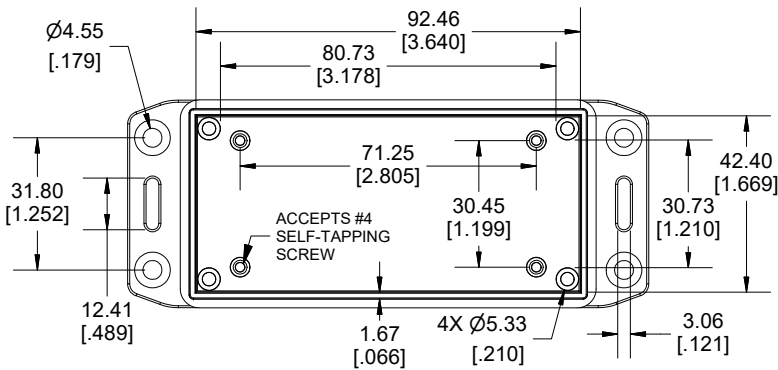
DETAIL C



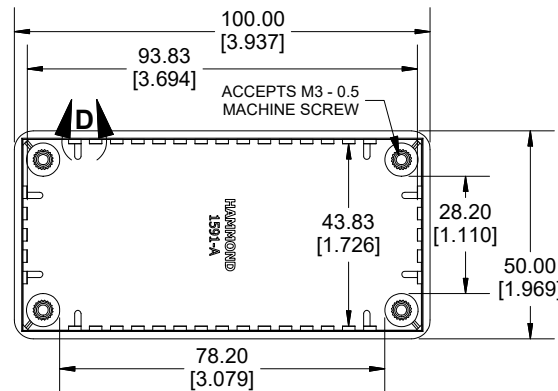
DETAIL D



SECTION B-B  
SIDE VIEW



INSIDE LID

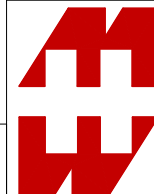


INSIDE BOX

Enclosures can be Factory Modified (Milling, Drilling, Printing etc.)  
Contact Factory (modshop@hammfg.com) for quotes  
Solid models of this enclosure available in .stp or .x\_t  
(Part number and text placement/orientation on our products are subject to change,  
we do not recommend using them as a locating reference for modification purposes)

| NOTE   |  |
|--|--|
| Purchased assembly includes box, lid, 4 cover screws, and pre-installed brass inserts. |  |
| Enclosure made from FRABS  |  |
| <b>Recommended Torque: 35.5-42.5 ozf.in (25-30 cN.m)</b>                               |  |

| PART NUMBERS                   |                     |
|--------------------------------|---------------------|
| <b>1591A Enclosure</b>         |                     |
| Flame Retardant ABS Black      | 1591AFLBK           |
| Flame Retardant ABS Grey       | 1591AFLGY           |
| <b>Accessories</b>             |                     |
| Plated Cover screw             | 1591MS100 (Silver)  |
| M3 - 0.5 X 10mm (100Pkg)       | 1591MS100BK (Black) |
| P.C Board screws for Lid       | 1593ATS50 (50Pkg)   |
| #4 X 1/4" (6.4mm) Self-Tapping | 1593ATS100 (100Pkg) |
| PC Board Card Adapters         | 1591Z6 (6Pkg)       |
|                                | 1591Z50 (50 Pkg)    |
|                                | 1591Z100 (100Pkg)   |
| Nylon Belt / Pocket clip       | 1599CLIP (Black)    |
|                                | 1599CLIPGY (Grey)   |



**HAMMOND  
MANUFACTURING.**  
**1591AFL**

Dimensions:  
mm  
[inches]

www.hammondmfg.com

REV: 06.16.2023