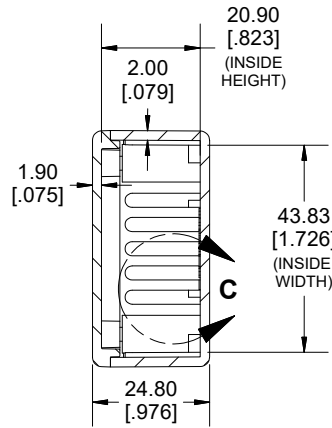
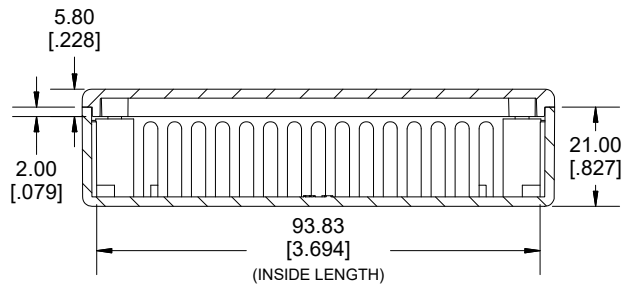
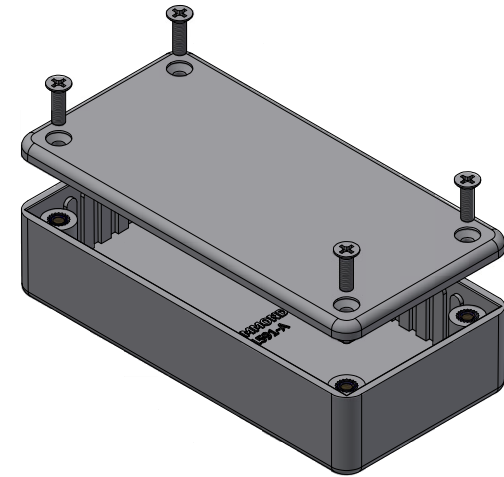


TOP VIEW



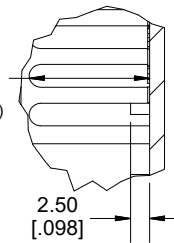
SECTION A-A



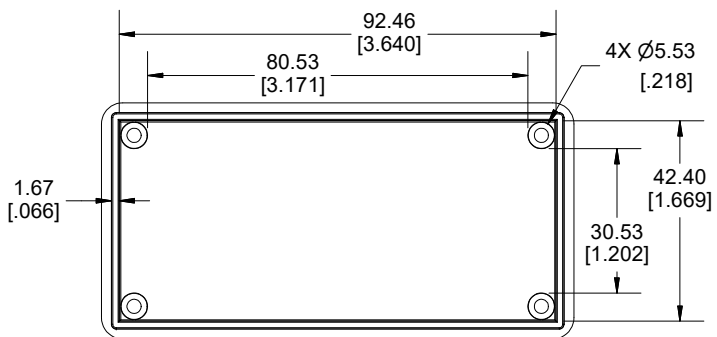
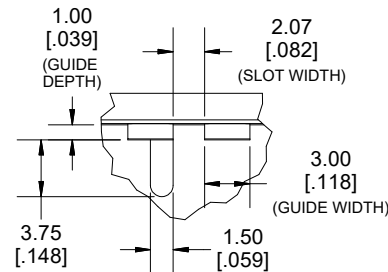
SECTION B-B
SIDE VIEW

DETAIL C

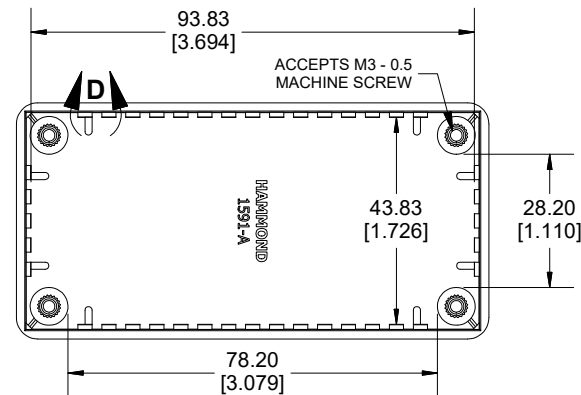
15.90
[.626]
(GUIDE
HEIGHT)



DETAIL D



INSIDE LID

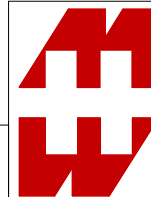


INSIDE BOX

Enclosures can be Factory Modified (Milling, Drilling, Printing etc.)
Contact Factory (modshop@hammfg.com) for quotes
Solid models of this enclosure available in .stp or .x_t
(Part number and text placement/orientation on our products are subject to change,
we do not recommend using them as a locating reference for modification purposes)

NOTE		
Purchased assembly includes box, lid, 4 cover screws, and pre-installed brass inserts. Enclosure made from FRABS or Polycarbonate.		
Recommended Torque: 35.5-42.5 ozf.in (25-30 cN.m)		
PART NUMBERS		
1591A Enclosure		
Material	Colour	Part Number
FR ABS UL94 -V0	Beige	1591ABG
	Black	1591ABK
	Blue	1591ABU
	Grey	1591AGY
Translucent Polycarbonate	Ice Blue	1591ATBU
	IR Red	1591ATRD
	Crystal Clear	1591ATCL
Accessories		
Plated Cover screw M3 - 0.5 X 10mm (100Pkg)	1591MS100 (Silver) 1591MS100BK (Black)	
PC Board Card Adapters	1591Z6 (6Pkg)	
	1591Z50 (50 Pkg)	
	1591Z100 (100Pkg)	
Nylon Belt / Pocket clip	1599CLIP (Black)	
	1599CLIPGY (Grey)	
Clear Lids - Flame Retardant Polycarbonate - Lid ONLY	1591AC	

Dimensions:
mm
[inches]



**HAMMOND
MANUFACTURING®**
1591A

www.hammondmfg.com