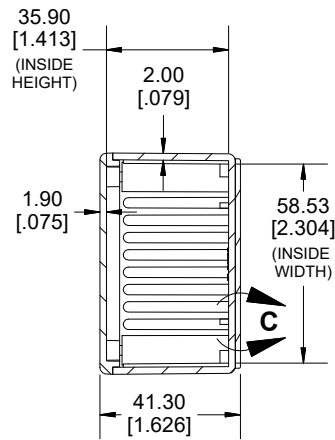
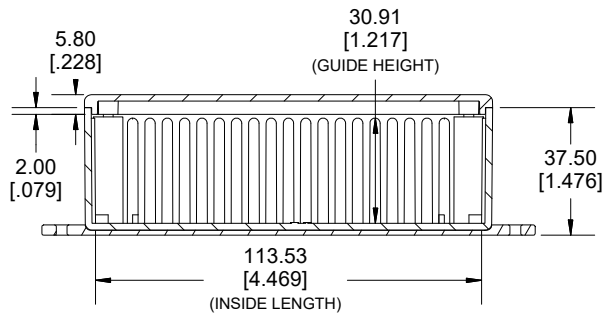
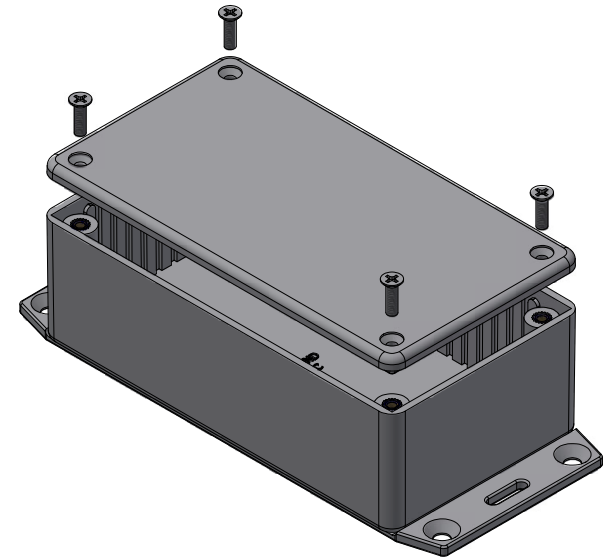


**TOP VIEW**

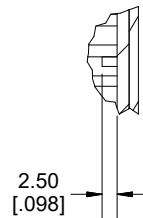


**SECTION A-A**

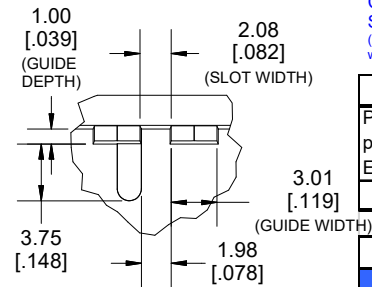
**DETAIL C**



**SECTION B-B  
SIDE VIEW**



**DETAIL D**



Enclosures can be Factory Modified (Milling, Drilling, Printing etc.)  
 Contact Factory (modshop@hammfg.com) for quotes  
 Solid models of this enclosure available in .stp or .x\_t  
 (Part number and text placement/orientation on our products are subject to change,  
 we do not recommend using them as a locating reference for modification purposes)

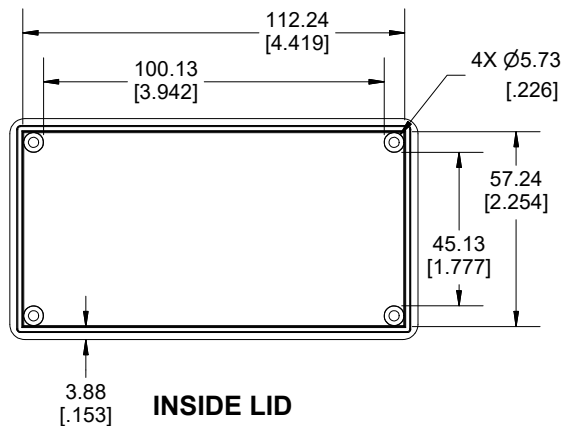
**NOTE**

Purchased assembly includes box, lid, 4 cover screws, and pre-installed brass inserts.  
 Enclosure made from FRABS

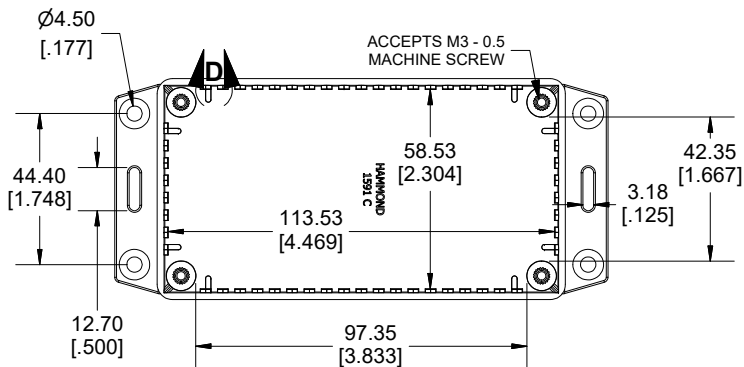
**Recommended Torque: 35.5-42.5 ozf.in (25-30 cN.m)**

**PART NUMBERS**

1591C Enclosure	
Flame Retardant ABS Black	1591CF2BK
Flame Retardant ABS Grey	1591CF2GY
Accessories	
Plated Cover screw M3 - 0.5 X 10mm (100Pkg)	1591MS100 (Silver) 1591MS100BK (Black)
PC Board Card Adapters	1591Z6 (6Pkg)
	1591Z50 (50 Pkg)
Nylon Belt / Pocket clip	1591Z100 (100Pkg)
	1599CLIP (Black) 1599CLIPGY (Grey)
Clear Lids - Flame Retardant Polycarbonate - Lid ONLY	1591CC

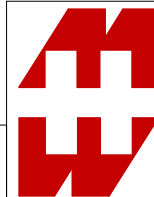


**INSIDE LID**



**INSIDE BOX**

Dimensions:  
mm  
[inches]



**HAMMOND  
MANUFACTURING.**  
**1591CF2**

www.hammondmfg.com