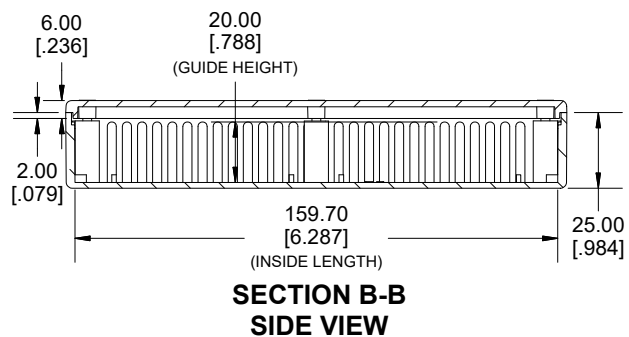
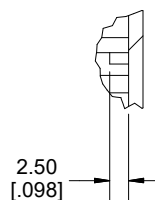


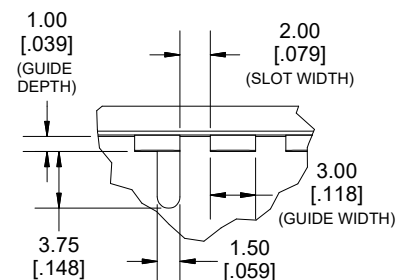
SECTION A-A



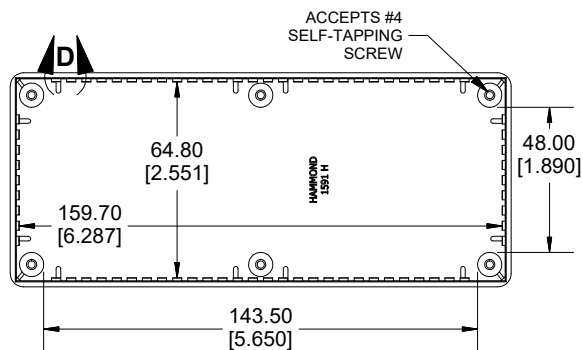
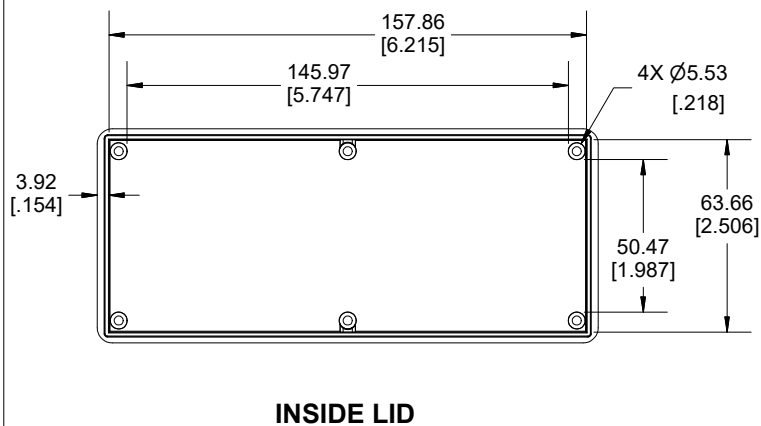
DETAIL C



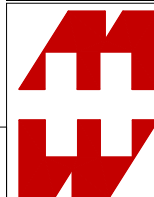
DETAIL D



Enclosures can be Factory Modified (Milling, Drilling, Printing etc.)  
 Contact Factory (modshop@hammfg.com) for quotes  
 Solid models of this enclosure available in .stp or .x\_t  
 (Part number and text placement/orientation on our products are subject to change,  
 we do not recommend using them as a locating reference for modification purposes)



| NOTE  |                     |
|---|---------------------|
| Purchased assembly includes box, lid and 6 cover screws<br>Enclosure made from GPABS. |                     |
| <b>Recommended Torque: 42-57 ozf.in (30-40 cN.m)</b>                                  |                     |
| PART NUMBERS  |                     |
| 1591H Enclosure   |                     |
| General Purpose ABS Black   | 1591HSBK            |
| General Purpose ABS Grey  | 1591HSGY            |
| Accessories   |                     |
| Plated Cover screw  | 1591TS100 (Silver)  |
| #4 X 1/2" (100Pkg) Self-Tapping   | 1591TS100BK (Black) |
| PC Board Card Adapters  | 1591Z6 (6Pkg)       |
|   | 1591Z50 (50 Pkg)    |
|   | 1591Z100 (100Pkg)   |
| Nylon Belt / Pocket clip  | 1599CLIP (Black)    |
|   | 1599CLIPGY (Grey)   |
| Clear Lids - Flame Retardant<br>Polycarbonate - Lid ONLY                              | 1591HC              |



**HAMMOND  
 MANUFACTURING.**  
**1591HS**

Dimensions:  
 mm  
 [inches]

www.hammondmfg.com

REV: 07.01.2020