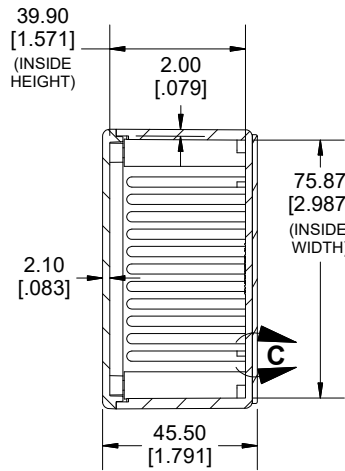
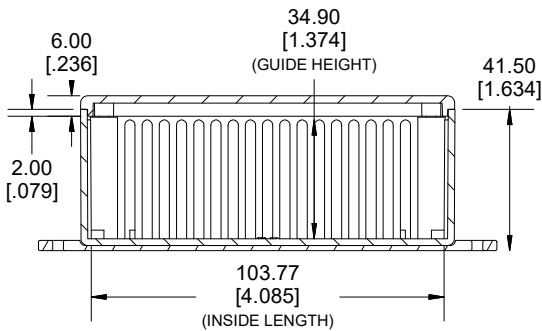
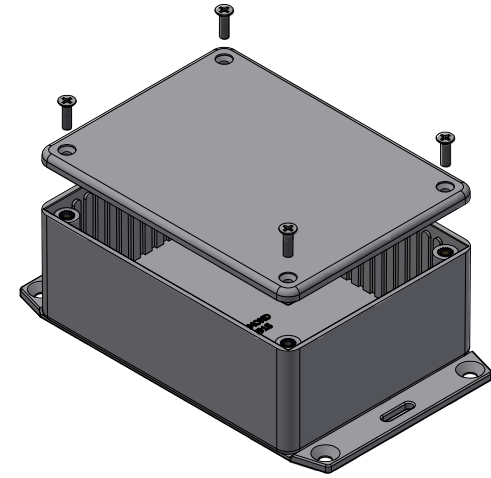


TOP VIEW

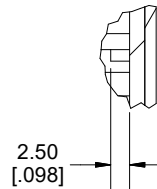


SECTION A-A

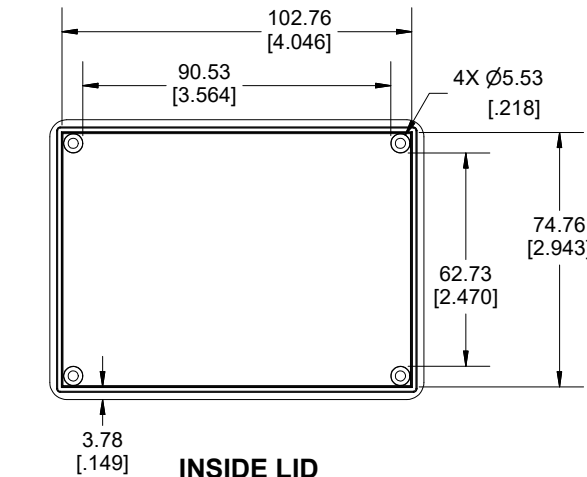
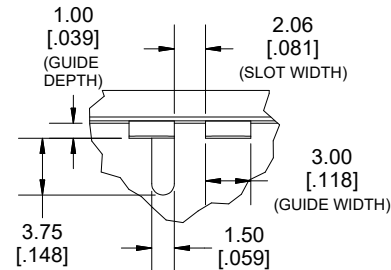


**SECTION B-B
SIDE VIEW**

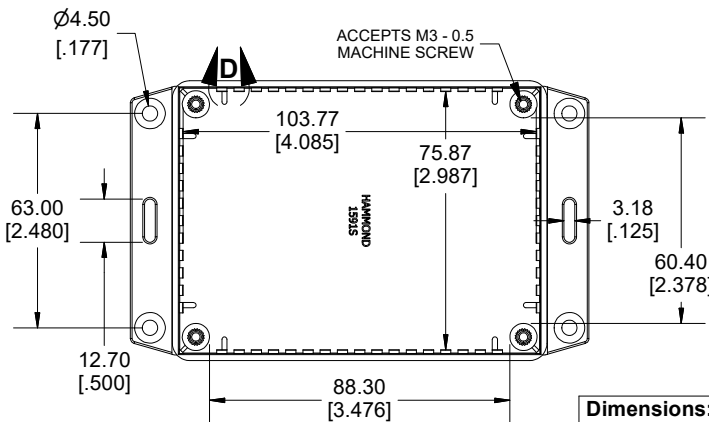
DETAIL C



DETAIL D



INSIDE LID



INSIDE BOX

Dimensions:
mm
[inches]

Enclosures can be Factory Modified (Milling, Drilling, Printing etc.)
Contact Factory (modshop@hammfg.com) for quotes
Solid models of this enclosure available in .stp or .x_t
(Part number and text placement/orientation on our products are subject to change,
we do not recommend using them as a locating reference for modification purposes)

NOTE

Purchased assembly includes box, lid, 4 cover screws, and pre-installed brass inserts.

Enclosure made from FRABS

Recommended Torque: 35.5-42.5 ozf.in (25-30 cN.m)

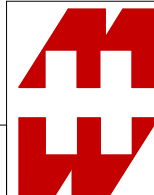
PART NUMBERS

1591S Enclosure

Flame Retardant ABS Black	1591SF2BK
Flame Retardant ABS Grey	1591SF2GY

Accessories

Plated Cover screw	1591MS100 (Silver)
M3 - 0.5 X 10mm (100Pkg)	1591MS100BK (Black)
PC Board Card Adapters	1591Z6 (6Pkg)
	1591Z50 (50 Pkg)
	1591Z100 (100Pkg)
Nylon Belt / Pocket clip	1599CLIP (Black)
	1599CLIPGY (Grey)
Clear Lids - Flame Retardant	1591SC
Polycarbonate - Lid ONLY	



**HAMMOND
MANUFACTURING.**
1591SF2

www.hammondmfg.com