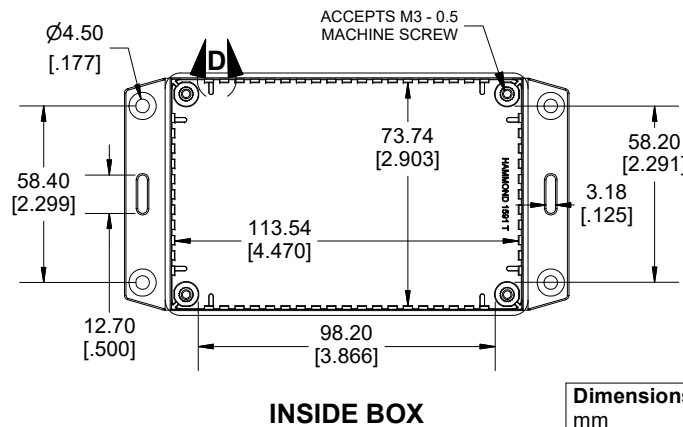
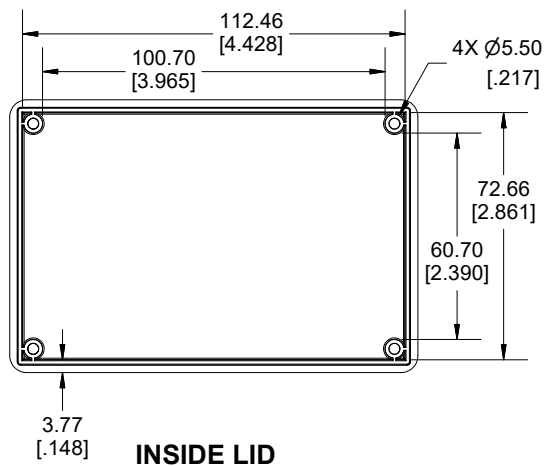


Enclosures can be Factory Modified (Milling, Drilling, Printing etc.)
 Contact Factory (modshop@hammfg.com) for quotes
 Solid models of this enclosure available in .stp or .x_t
 (Part number and text placement/orientation on our products are subject to change,
 we do not recommend using them as a locating reference for modification purposes)

NOTE	
Purchased assembly includes box, lid, 4 cover screws, and pre-installed brass inserts.	
Enclosure made from FRABS	
Recommended Torque: 35.5-42.5 ozf.in (25-30 cN.m)	

PART NUMBERS	
1591T Enclosure	
Flame Retardant ABS Black	1591TF2BK
Flame Retardant ABS Grey	1591TF2GY
Accessories	
Plated Cover screw	1591MS100 (Silver)
M3 - 0.5 X 10mm (100Pkg)	1591MS100BK (Black)
PC Board Card Adapters	1591Z6 (6Pkg)
	1591Z50 (50 Pkg)
	1591Z100 (100Pkg)
Nylon Belt / Pocket clip	1599CLIP (Black)
	1599CLIPGY (Grey)
Clear Lids - Flame Retardant	1591TC
Polycarbonate - Lid ONLY	



Dimensions:
mm
[inches]

**HAMMOND
MANUFACTURING.**
1591TF2
www.hammondmfg.com