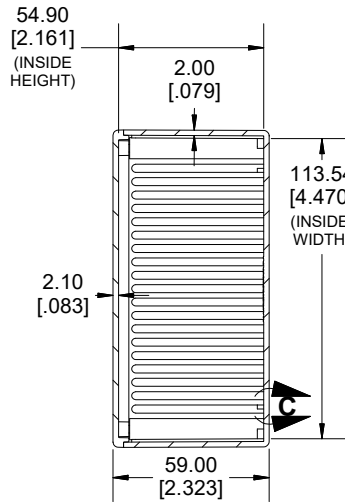
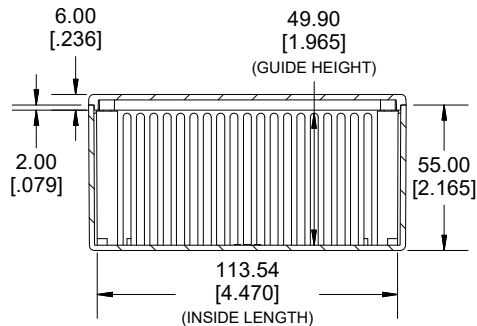
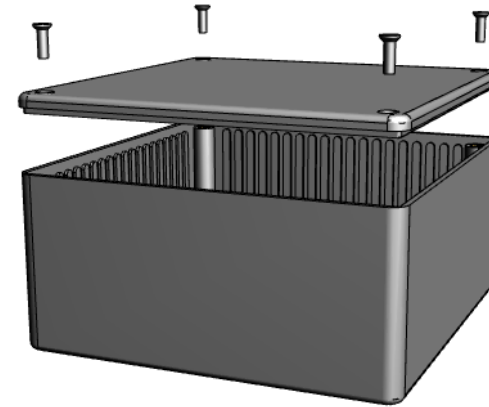


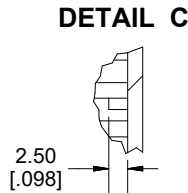
**TOP VIEW**



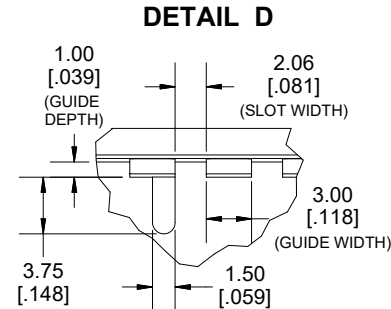
**SECTION A-A**



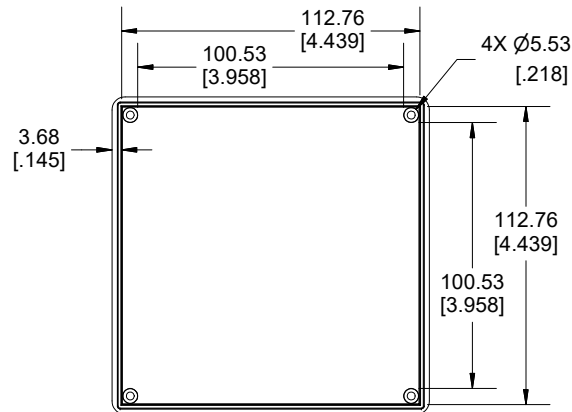
**SECTION B-B  
SIDE VIEW**



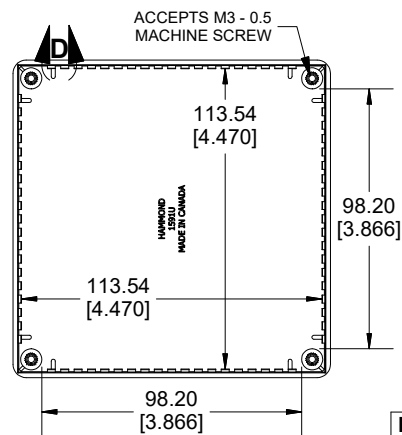
**DETAIL C**



**DETAIL D**



**INSIDE LID**

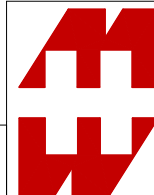


**INSIDE BOX**

Dimensions:  
mm  
[inches]

Enclosures can be Factory Modified (Milling, Drilling, Printing etc.)  
Contact Factory (modshop@hammfg.com) for quotes  
Solid models of this enclosure available in .stp or .x\_t  
(Part number and text placement/orientation on our products are subject to change,  
we do not recommend using them as a locating reference for modification purposes)

<b>NOTE</b>		
Purchased assembly includes box, lid, 4 cover screws, and pre-installed brass inserts. Enclosure made from FRABS or Polycarbonate.		
<b>Recommended Torque: 42-57 ozf.in (30-40 cN.m)</b>		
<b>PART NUMBERS</b>		
<b>1591U Enclosure</b>		
Material	Colour	Part Number
<b>FR ABS UL94 -V0</b>	Beige	1591UBG
	Black	1591UBK
	Blue	1591UBU
	Grey	1591UGY
<b>Accessories</b>		
Plated Cover screw	1591MS100 (Silver)	
M3 - 0.5 X 10mm (100Pkg)	1591MS100BK (Black)	
PC Board Card Adapters	1591Z6 (6Pkg)	
	1591Z50 (50 Pkg)	
	1591Z100 (100Pkg)	
Nylon Belt / Pocket clip	1599CLIP (Black)	
	1599CLIPGY (Grey)	
Clear Lids - Flame Retardant Polycarbonate - Lid ONLY	1591UC	



**HAMMOND  
MANUFACTURING.**  
**1591U**

www.hammondmfg.com

REV: 07.01.2020