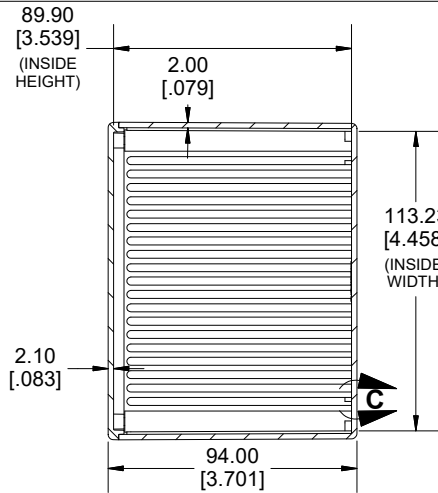
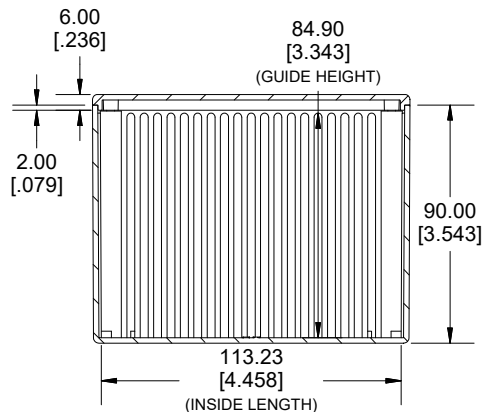
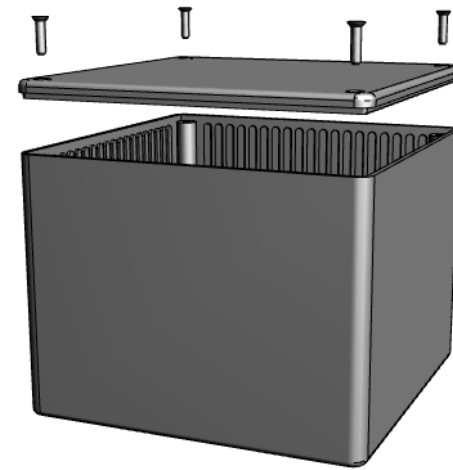


TOP VIEW

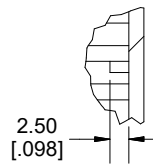


SECTION A-A

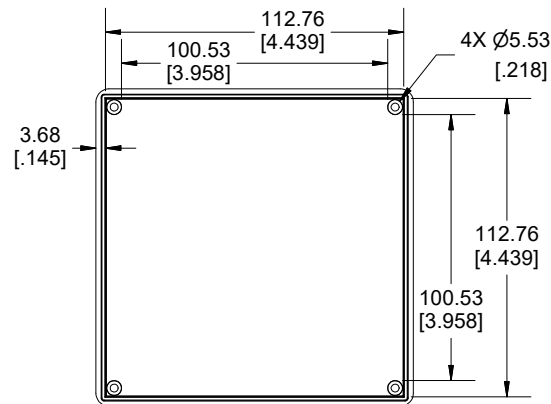
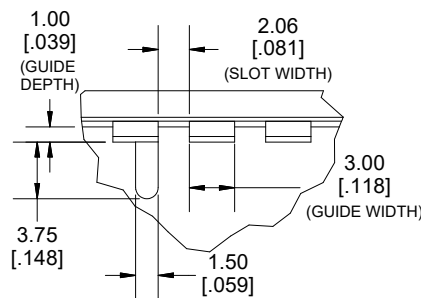


**SECTION B-B
SIDE VIEW**

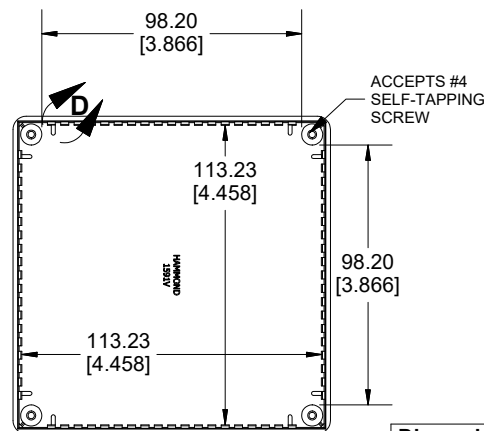
DETAIL C



DETAIL D



INSIDE LID

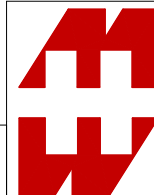


INSIDE BOX

Dimensions:
mm
[inches]

Enclosures can be Factory Modified (Milling, Drilling, Printing etc.)
Contact Factory (modshop@hammfg.com) for quotes
Solid models of this enclosure available in .stp or .x_t
(Part number and text placement/orientation on our products are subject to change,
we do not recommend using them as a locating reference for modification purposes)

NOTE	
Purchased assembly includes box, lid and 4 cover screws Enclosure made from GPABS.	
Recommended Torque: 42-57 ozf.in (30-40 cN.m)	
PART NUMBERS	
1591V Enclosure	
General Purpose ABS Black	1591VSBK
General Purpose ABS Grey	1591VSGY
Accessories	
Plated Cover screw	1591TS100 (Silver)
#4 X 1/2" (100Pkg) Self-Tapping	1591TS100BK (Black)
PC Board Card Adapters	1591Z6 (6Pkg)
	1591Z50 (50 Pkg)
	1591Z100 (100Pkg)
Nylon Belt / Pocket clip	1599CLIP (Black)
	1599CLIPGY (Grey)
Clear Lids - Flame Retardant Polycarbonate - Lid ONLY	1591VC



**HAMMOND
MANUFACTURING.**
1591VS

www.hammondmfg.com