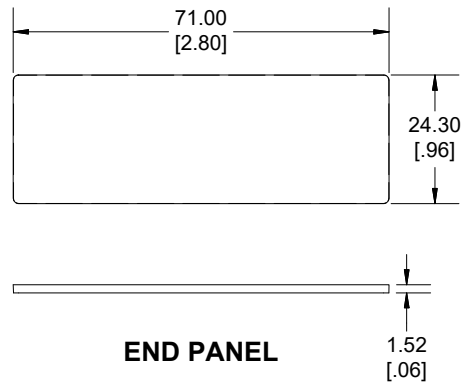
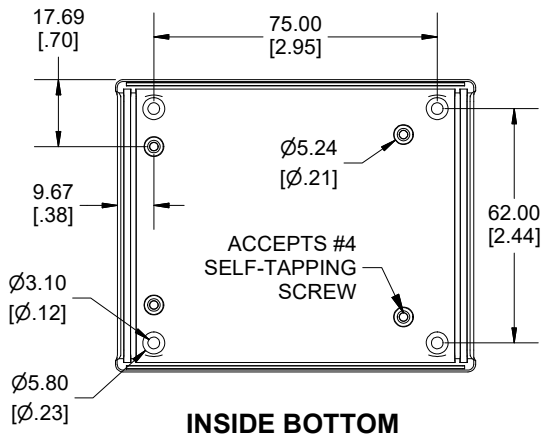


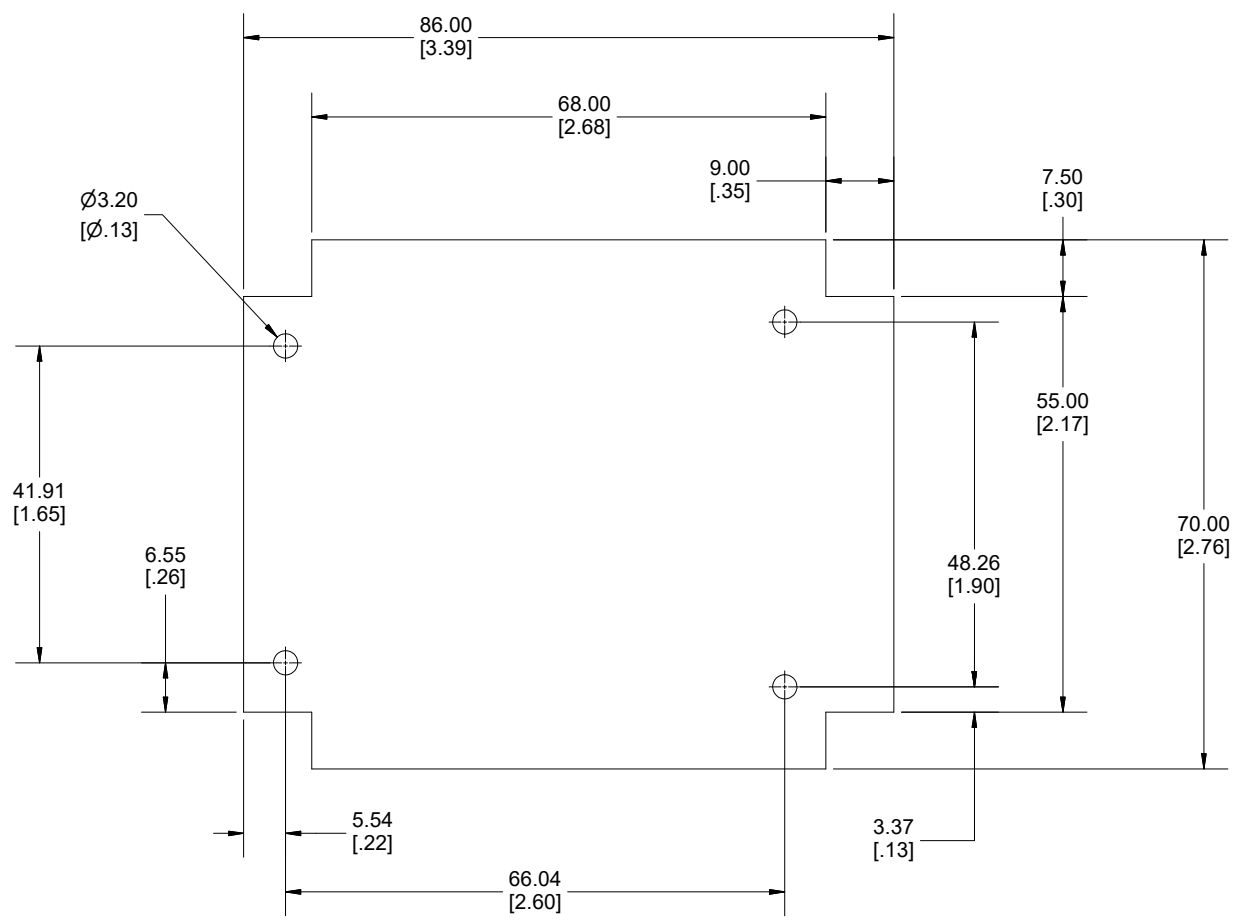
Enclosures can be Factory Modified (Milling, Drilling, Printing etc.)
Contact Factory (modshop@hammfg.com) for quotes
Solid models of this enclosure available in .stp or .x_t
(Part number and text placement/orientation on our products are subject to change, we do not recommend using them as a locating reference for modification purposes)

NOTE	
Enclosure molded from GP ABS (UL94-HB) plastic. Purchased assembly includes top and bottom cover, 2 flat plastic panels for front and rear and 4 cover screws.	
Recommended Torque: Cover screws - 40 cN-m [57 ozf-in] Internal mounting screws - 20-30 cN-m [29-42 ozf-in]	
1593	
1593BB Regular Enclosure	
Black Enclosure	1593BBBK
Grey Enclosure	1593BBGY
Translucent Blue Enclosure	1593BBTBU
ACCESSORIES	
Cover Screws #4 X 3/4" Self-Tapping (100 Pkg)	1593QS100 (Silver)
	1593QS100BK (Black)
P.C. Board Screws #4 X 1/4" Self-Tapping	1593ATS50 (Pkg 50)
	1593ATS100 (Pkg 100)
Nylon Belt Clip	1599CLIP (Black)
	1599CLIPGY (Grey)
1593BB STD FLAT PANEL (SINGLE PANEL)	Black 1593BBLBK-10
	Grey 1593BBLGY-10
	Translucent Blue 1593BBLTBU-10
	Infrared 1593BBIR10
	Aluminum 1593BBAL10



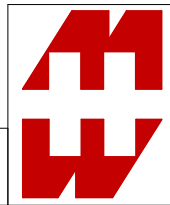
Dimensions:
mm
[inches]

**HAMMOND
MANUFACTURING®**
1593BB
www.hammondmfg.com



MAX RECOMMENDED PCB SIZE
 (NOT SUPPLIED WITH ENCLOSURE,
 NOT AVAILABLE FOR PURCHASE)

Dimensions:
 mm
 [inches]



**HAMMOND
 MANUFACTURING.**
 DESIGN RESOURCE
 1593BB PCB
www.hammondmfg.com