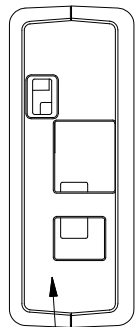
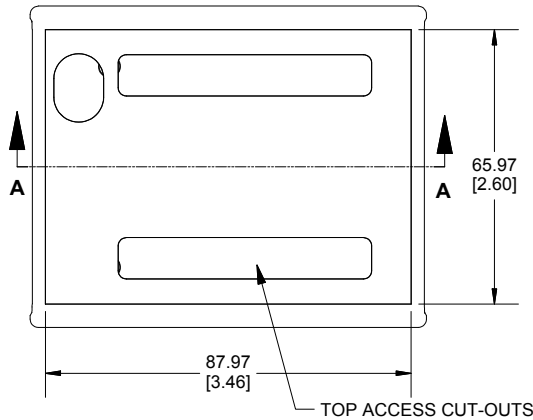


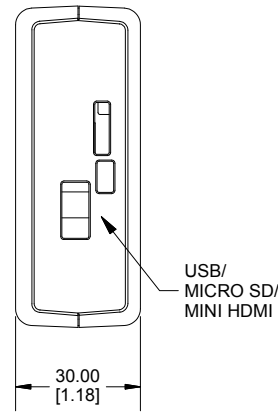
End View of Assembly



Top View of Assembly



End View of Assembly



*** FOR USE WITH BEAGLEBONE BLACK**

NOTE

Purchased assembly includes top and bottom cover, front and rear end panels, 4 cover screws, 4 PCB screws and 4 clear rubber feet. (P.C. Board not included)
Enclosure molded from ABS Plastic.

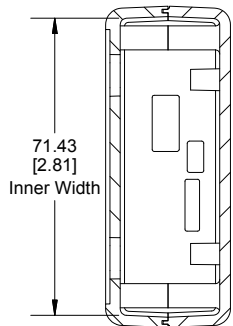
PART NUMBERS

1593HAMBONE Enclosure	
Black Enclosure	1593HAMBONEBK
Grey Enclosure	1593HAMBONEGY
Translucent Blue Enclosure	1593HAMBONETBU

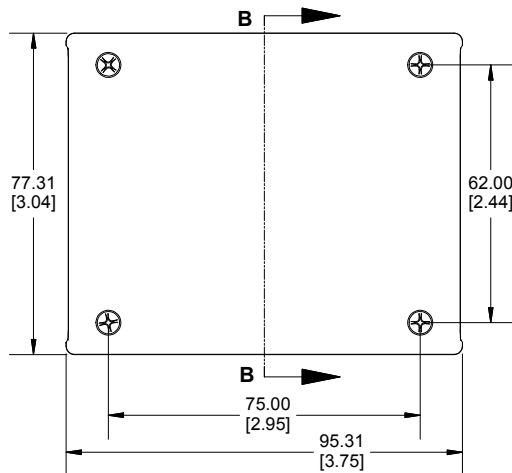
ACCESSORIES

Recommended Torque: 75 ozf.in / 55 cN.m		
1 Front and 1 Rear Panel (With cut outs)	Black	1593BONELBK-B
	Grey	1593BONELGY-B
	Translucent Blue	1593BONELTBU-B
STD Flat Panel (Single Panel No cut outs)	Black	1593BBLBK-B
	Grey	1593BBLGY-B
	Translucent Blue	1593BBLTBU-B
	Infrared	1593BBIR10
P.C. Board Screws		1593ATS50 (pkg 50)
#4 X 1/4" Self-Tapping		1593ATS100 (pkg 100)
Cover Screws (Pkg 100)		1593QS100 (Silver)
#4 X 3/4" Self-Tapping		1593QS100BK (Black)

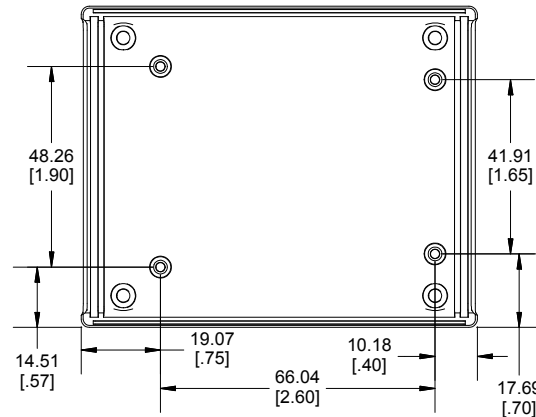
SECTION B-B



Bottom View of Assembly



INSIDE BOTTOM



Dimensions:
mm
[inches]

**HAMMOND
MANUFACTURING™**

1593HAMBONE

www.hammondmfg.com