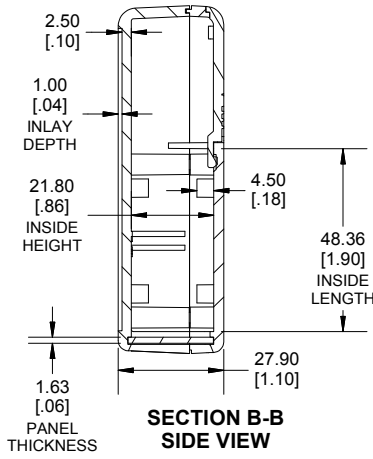
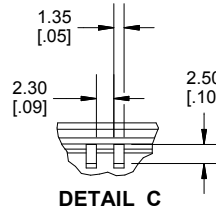


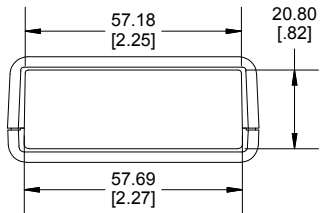
**TOP VIEW**



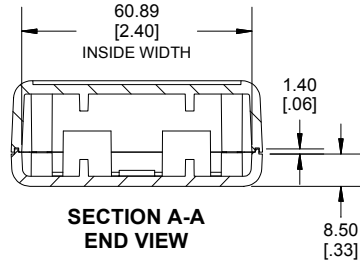
**SECTION B-B  
SIDE VIEW**



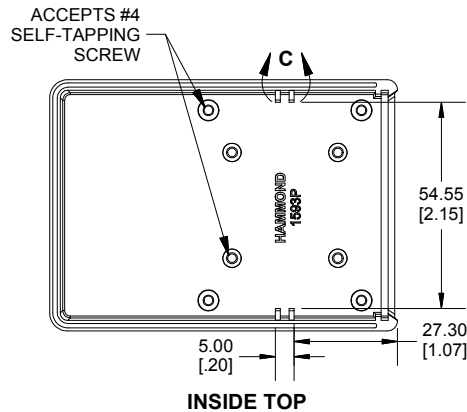
**DETAIL C**



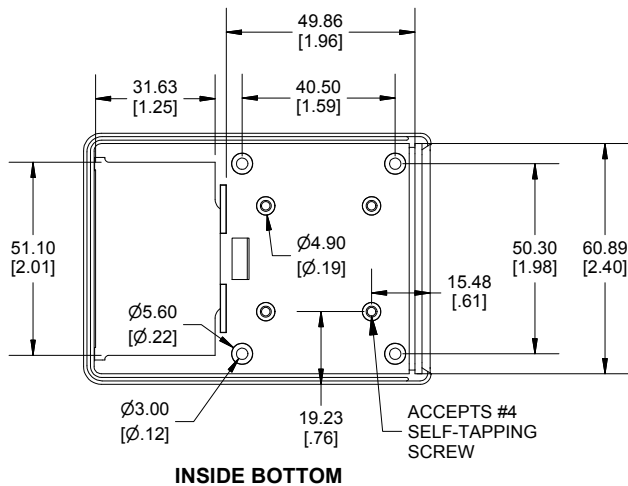
**END VIEW**



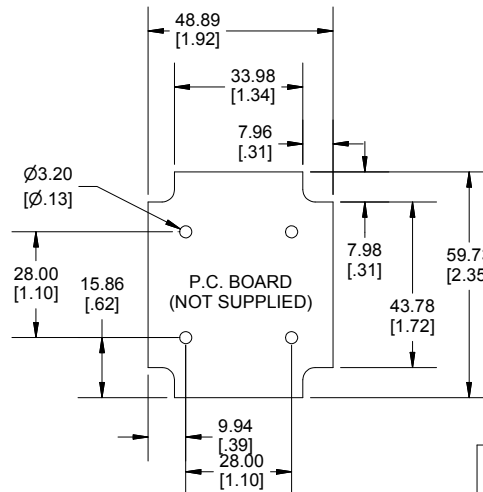
**SECTION A-A  
END VIEW**



**INSIDE TOP**



**INSIDE BOTTOM**



**Dimensions:**  
mm  
[inches]

Enclosures can be Factory Modified (Milling, Drilling, Printing etc.)  
Contact Factory ([modshop@hammondmfg.com](mailto:modshop@hammondmfg.com)) for quotes  
Solid models of this enclosure available in .stp or .x\_t  
(Part number and text placement/orientation on our products are subject to change,  
we do not recommend using them as a locating reference for modification purposes)

<b>NOTE</b>	
Enclosure molded from GP ABS (UL94-HB) plastic.	
Purchased assembly includes top and bottom cover, 1 flat aluminum panel for front, battery door and 4 cover screws.	
<b>Recommended Cover Screw Torque - 57lbf-in ( 40cN-m)</b>	
<b>1593</b>	
<b>1593P Regular Enclosure</b>	
Black Enclosure	1593PALBK
Grey Enclosure	1593PALGY
Translucent Blue Enclosure	1593PALTBU
<b>ACCESSORIES</b>	
Cover Screws #4 X 3/4" Self-Tapping (100 Pkg)	1593QS100 (Silver)
	1593QS100BK (Black)
P.C. Board Screws #4 X 1/4" Self-Tapping	1593ATS50 (Pkg 50)
Nylon Belt Clip	1599CLIP (Black)
	1599CLIPGY (Grey)
1593P STD FLAT PANEL Aluminum (Pkg 10)	1593PAL10

