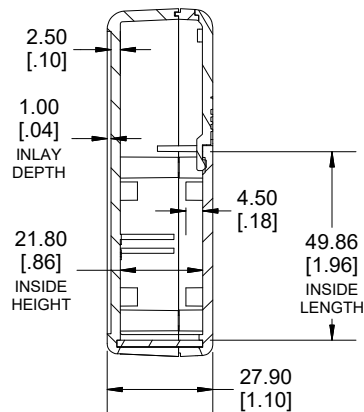
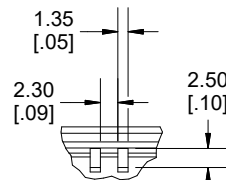


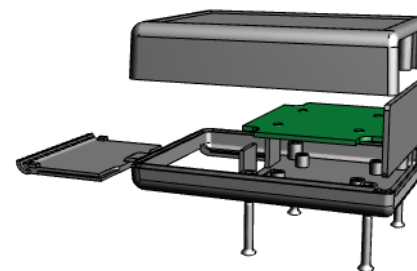
TOP VIEW



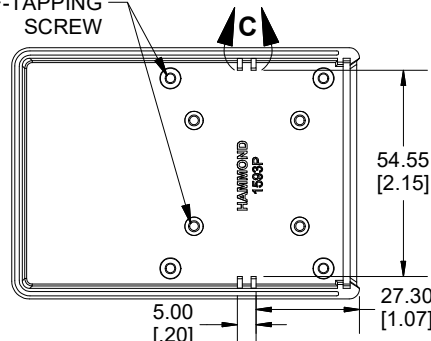
**SECTION B-B
SIDE VIEW**



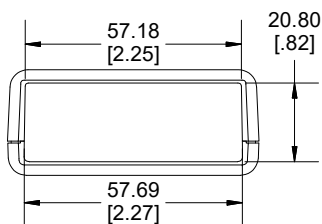
DETAIL C



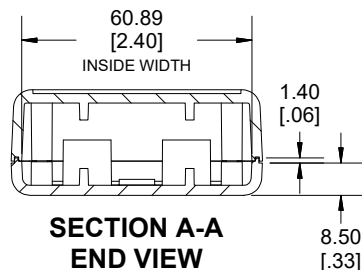
ACCEPTS #4
SELF-TAPPING
SCREW



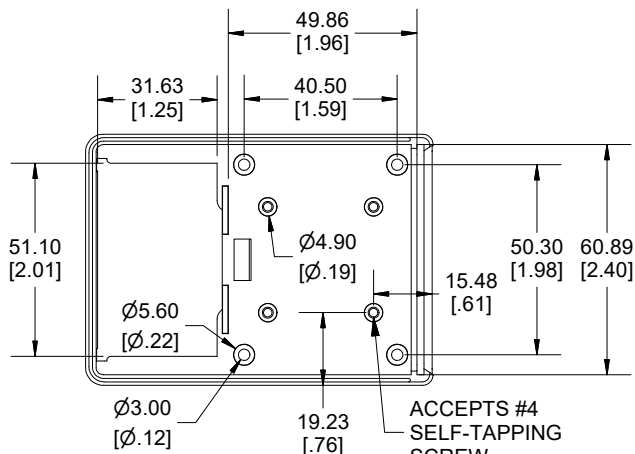
INSIDE TOP



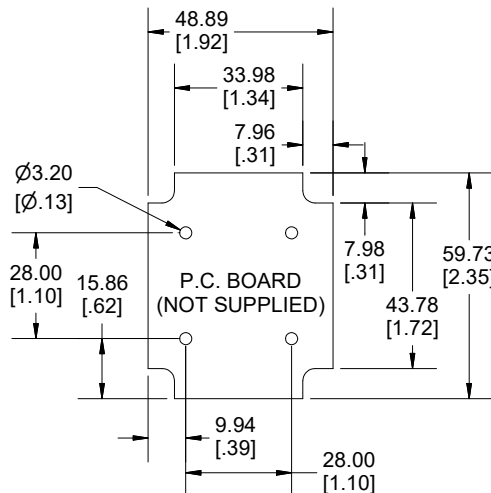
END VIEW



**SECTION A-A
END VIEW**



INSIDE BOTTOM



Dimensions:
mm
[inches]

Enclosures can be Factory Modified (Milling, Drilling, Printing etc.)
Contact Factory (modshop@hammfg.com) for quotes
Solid models of this enclosure available in .stp or .x_t
(Part number and text placement/orientation on our products are subject to change,
we do not recommend using them as a locating reference for modification purposes)

NOTE		
Enclosure molded from GP ABS (UL94-HB) plastic. Purchased assembly includes top and bottom cover, 1 plastic flat panel for front, battery door and 4 cover screws.		
Recommended Cover Screw Torque - 57lbf-in (40cN-m)		
1593		
1593P Regular Enclosure		
Black Enclosure	1593PBK	
Grey Enclosure	1593PGY	
Translucent Blue Enclosure	1593PTBU	
ACCESSORIES		
Cover Screws #4 X 3/4" Self-Tapping (100 Pkg)	1593QS100 (Silver)	
	1593QS100BK (Black)	
P.C. Board Screws #4 X 1/4" Self-Tapping	1593ATS50 (Pkg 50)	
	1593ATS100 (Pkg 100)	
Nylon Belt Clip	1599CLIP (Black)	
	1599CLIPGY (Grey)	
1-AAA Battery Holder (Single)	BH1AAAW	
2-AAA Battery Holder (Single)	BH2AAAW	
2-AA Battery Holder (Single)	BH2AAW	
1-9V Battery Holder (Single)	BS61	
1593P STD FLAT PANEL (SINGLE PANEL)	Black	1593PLBK-BULK
	Grey	1593PLGY-BULK
	Translucent Blue	1593PLTBU-BULK
	Infrared	1593PIR10
1593P STD CONTOURED PANEL (SINGLE PANEL)	Aluminum	1593PAL10
	Black	1593KLBK-BULK
	Grey	1593KCLGY-BULK
	Translucent Blue	1593KCLTBU-BULK

**HAMMOND
MANUFACTURING**
1593P
www.hammondmfg.com