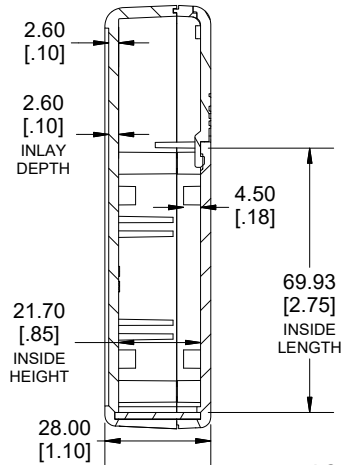
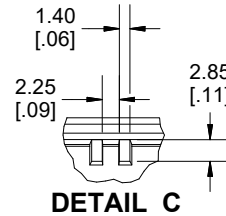


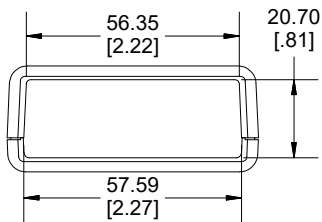
TOP VIEW



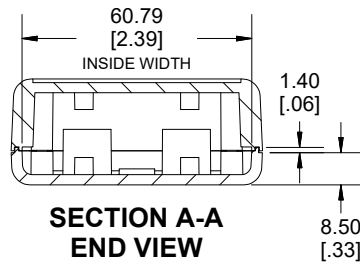
**SECTION B-B
SIDE VIEW**



DETAIL C

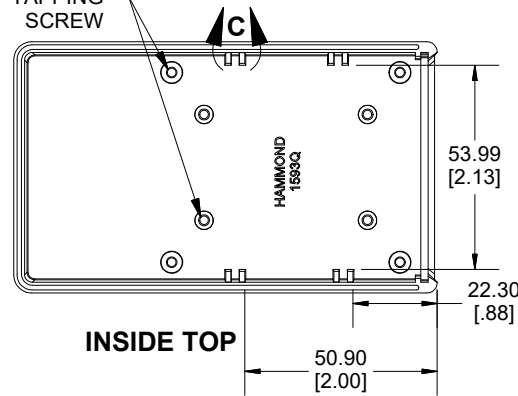


END VIEW

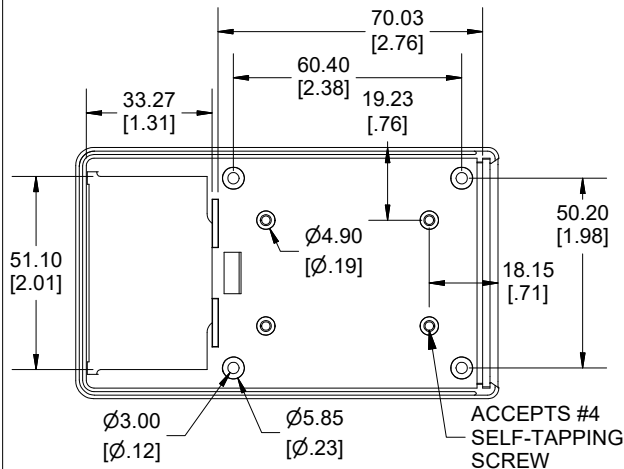


**SECTION A-A
END VIEW**

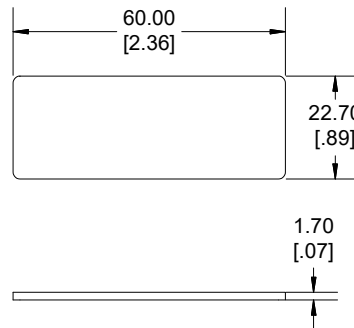
ACCEPTS #4
SELF-TAPPING
SCREW



INSIDE TOP

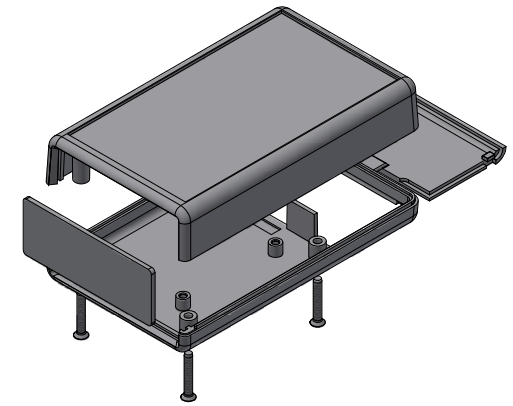


INSIDE BOTTOM



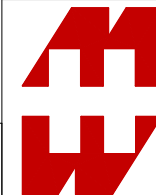
END PANEL

Dimensions:
mm
[inches]



Enclosures can be Factory Modified (Milling, Drilling, Printing etc.)
Contact Factory (modshop@hammfg.com) for quotes
Solid models of this enclosure available in .stp or .x_t
(Part number and text placement/orientation on our products are subject to change,
we do not recommend using them as a locating reference for modification purposes)

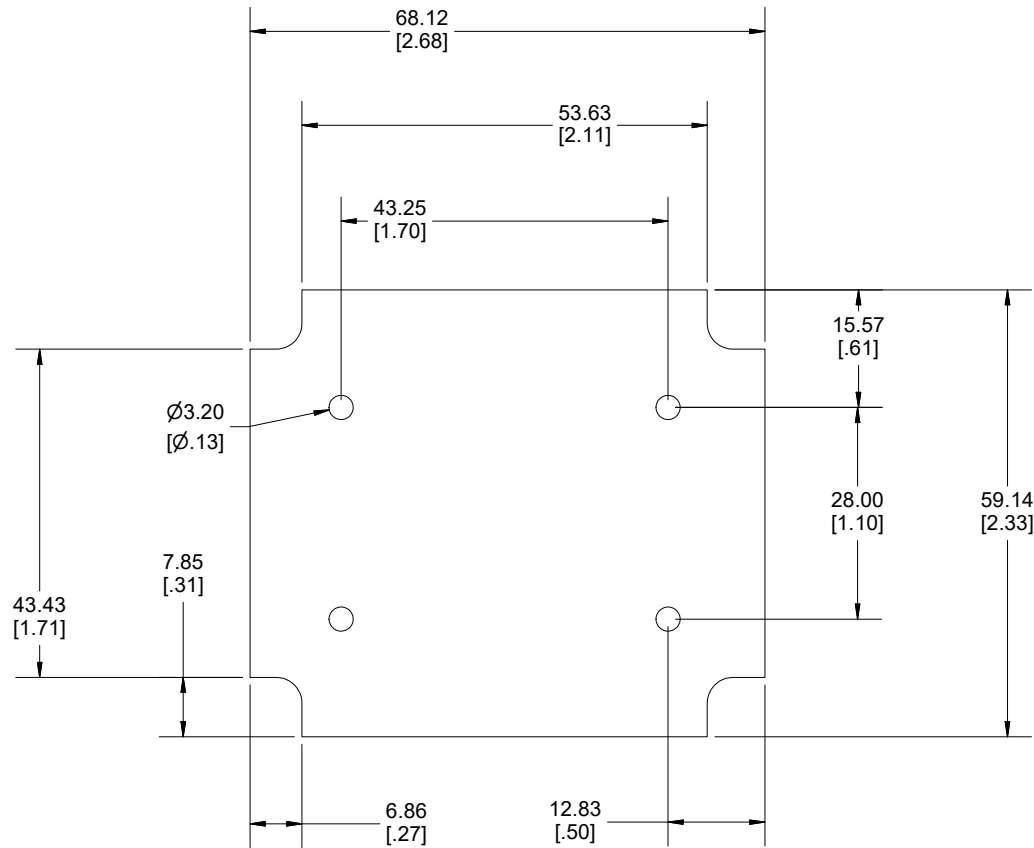
NOTE		
Enclosure molded from GP ABS (UL94-HB) plastic. Purchased assembly includes top and bottom cover, 1 plastic flat panel for front, battery door and 4 cover screws.		
Recommended Torque: Cover screws - 40 cN-m [57 ozf-in] Internal mounting screws - 20-30 cN-m [29-42 ozf-in]		
1593		
1593Q Regular Enclosure		
Black Enclosure	1593QBK	
Grey Enclosure	1593QGY	
Translucent Blue Enclosure	1593QTBU	
ACCESSORIES		
Cover Screws #4 X 3/4" Self-Tapping (100 Pkg)	1593QS100 (Silver)	
	1593QS100BK (Black)	
P.C. Board Screws #4 X 1/4" Self-Tapping	1593ATS50 (Pkg 50)	
	1593ATS100 (Pkg 100)	
Nylon Belt Clip	1599CLIP (Black)	
	1599CLIPGY (Grey)	
1-AAA Battery Holder (Single)	BH1AAAW	
2-AAA Battery Holder (Single)	BH2AAAW	
2-AA Battery Holder (Single)	BH2AAW	
1-9V Battery Holder (Single)	BS61	
1593Q STD FLAT PANEL (SINGLE PANEL)	Black	1593PL1BK-10
	Grey	1593PL1GY-10
	Translucent Blue	1593PL1TBU-10
	Infrared	1593PIR10
1593Q STD CONTOURED PANEL (SINGLE PANEL)	Aluminum	1593PAL10
	Black	1593PL2BK-10
	Grey	1593PL2GY-10
	Translucent Blue	1593PL2TBU-10



**HAMMOND
MANUFACTURING®**

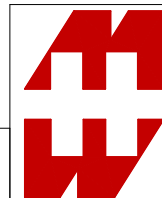
1593Q

www.hammondmfg.com



MAX RECOMMENDED PCB SIZE
 (NOT SUPPLIED WITH ENCLOSURE,
 NOT AVAILABLE FOR PURCHASE)

Dimensions:
 mm
 [inches]



**HAMMOND
 MANUFACTURING.**
 DESIGN RESOURCE
 1593Q PCB
www.hammondmfg.com