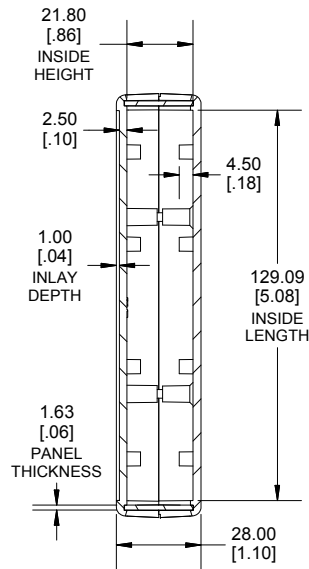
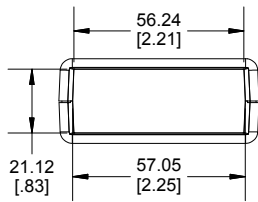


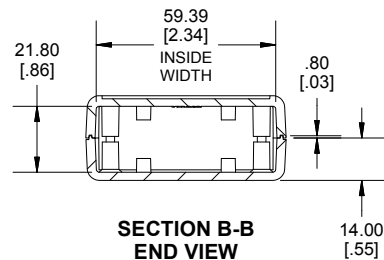
TOP VIEW



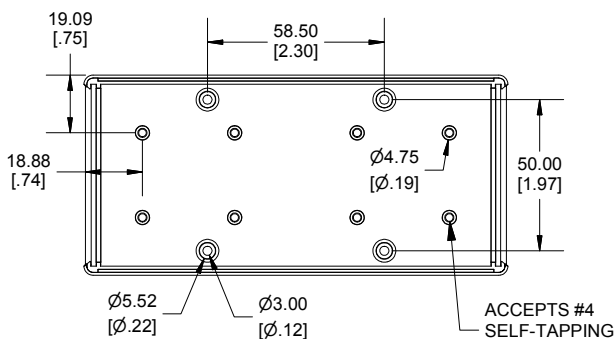
SECTION A-A
SIDE VIEW



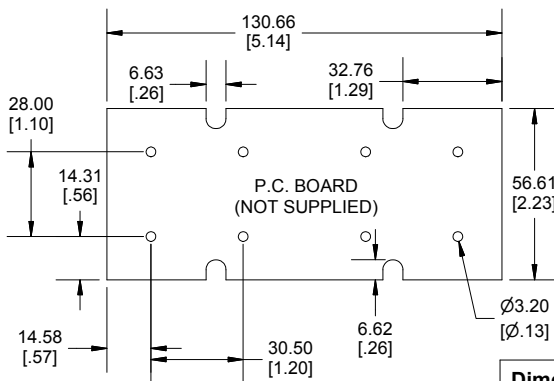
END VIEW



SECTION B-B
END VIEW



INSIDE BOTTOM



Dimensions:
mm
[inches]



Enclosures can be Factory Modified (Milling, Drilling, Printing etc.)
Contact Factory (modshop@hammondmfg.com) for quotes
Solid models of this enclosure available in .stp or .x_t
(Part number and text placement/orientation on our products are subject to change,
we do not recommend using them as a locating reference for modification purposes)

NOTE

Enclosure molded from GP ABS (UL94-HB) plastic.
Purchased assembly includes top and bottom cover, 2 flat aluminum panels for front and rear and 4 cover screws.

Recommended Cover Screw Torque - 57lbf-in (40cN-m)

1593

1593X Regular Enclosure

Black Enclosure	1593XALBK
Grey Enclosure	1593XALGY
Translucent Blue Enclosure	1593XALTBU
ACCESSORIES	
Cover Screws #4 X 3/4" Self-Tapping (100 Pkg)	1593QS100 (Silver)
	1593QS100BK (Black)
P.C. Board Screws #4 X 1/4" Self-Tapping	1593ATS50 (Pkg 50)
Nylon Belt Clip	1599CLIP (Black)
	1599CLIPGY (Grey)
1593X STD FLAT PANEL Aluminum (Pkg 10)	1593PAL10

