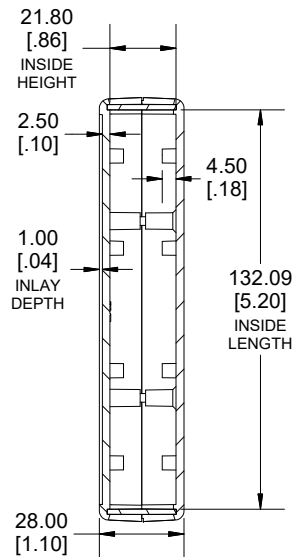
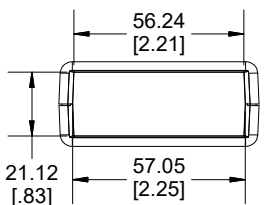


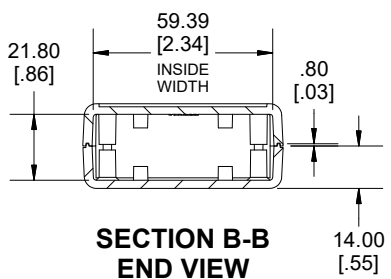
TOP VIEW



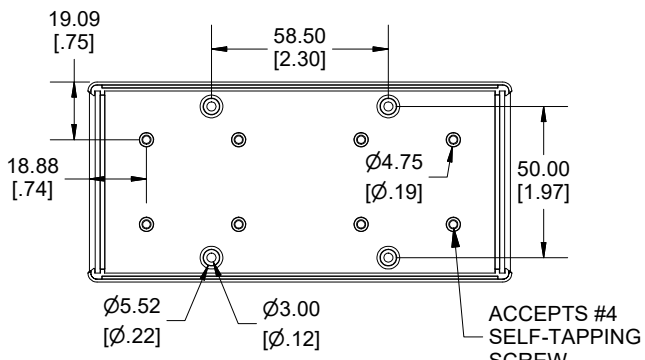
SECTION A-A  
SIDE VIEW



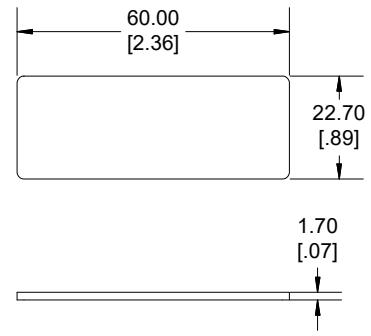
END VIEW



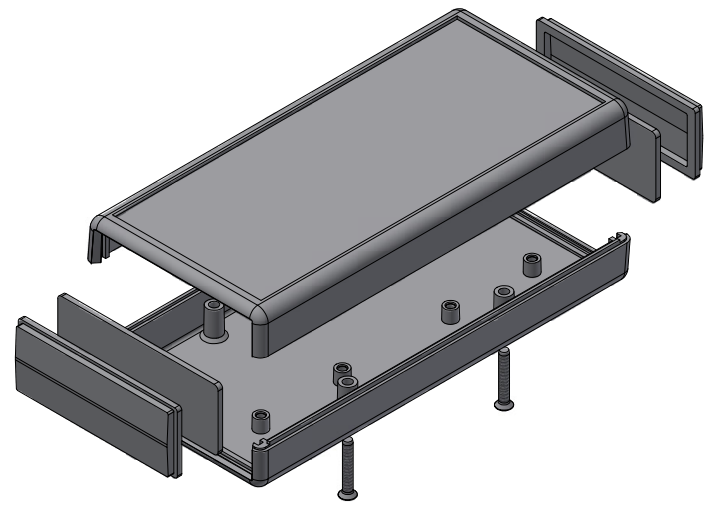
SECTION B-B  
END VIEW



INSIDE BOTTOM



END PANEL

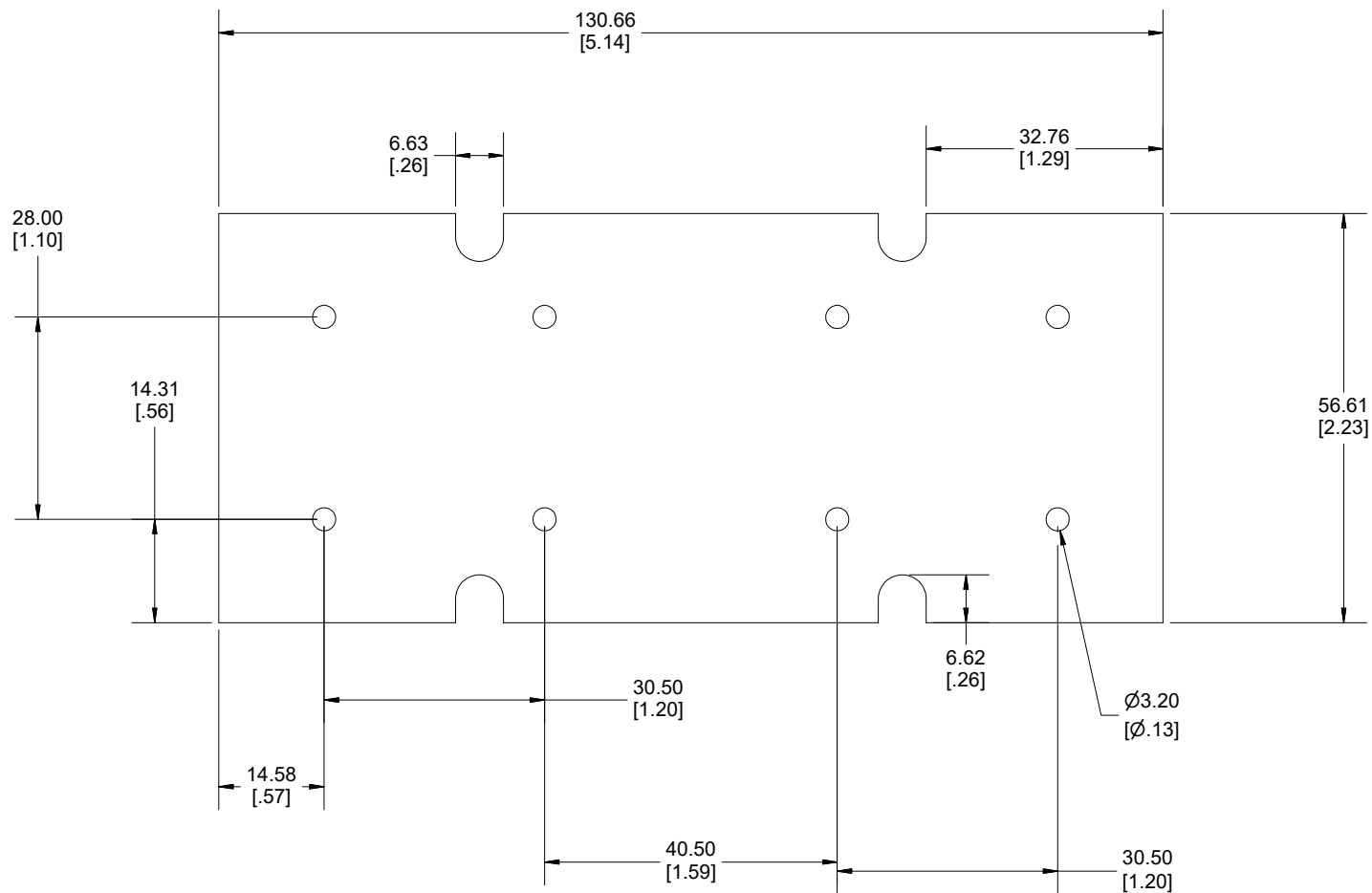


Enclosures can be Factory Modified (Milling, Drilling, Printing etc.)  
Contact Factory (modshop@hammfg.com) for quotes  
Solid models of this enclosure available in .stp or .x\_t  
(Part number and text placement/orientation on our products are subject to change,  
we do not recommend using them as a locating reference for modification purposes)

NOTE	
Enclosure molded from GP ABS (UL94-HB) plastic. Purchased assembly includes top and bottom cover, 4 plastic panels for front and rear (2 types - flat and contoured) and 4 cover screws.	
<b>Recommended Torque: Cover screws - 40 cN-m [57 ozf-in] Internal mounting screws - 20-30 cN-m [29-42 ozf-in]</b>	
<b>1593</b>	
<b>1593X Regular Enclosure</b>	
Black Enclosure	1593XBK
Grey Enclosure	1593XGY
Translucent Blue Enclosure	1593XTBU
<b>ACCESSORIES</b>	
Cover Screws #4 X 3/4" Self-Tapping (100 Pkg)	1593QS100 (Silver)
	1593QS100BK (Black)
P.C. Board Screws #4 X 1/4" Self-Tapping	1593ATS50 (Pkg 50)
	1593ATS100 (Pkg 100)
	1599CLIP (Black)
Nylon Belt Clip	1599CLIPGY (Grey)
	Black 1593PL1BK-10
1593X STD FLAT PANEL (SINGLE PANEL)	Grey 1593PL1GY-10
	Translucent Blue 1593PL1TBU-10
	Infrared 1593PIR10
	Aluminum 1593PAL10
1593X STD CONTOURED PANEL (SINGLE PANEL)	Black 1593PL2BK-10
	Grey 1593PL2GY-10
	Translucent Blue 1593PL2TBU-10

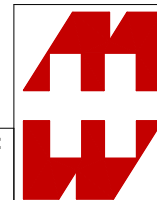
Dimensions:  
mm  
[inches]

**HAMMOND  
MANUFACTURING®**  
**1593X**  
www.hammondmfg.com



**MAX RECOMMENDED PCB SIZE**  
 (NOT SUPPLIED WITH ENCLOSURE,  
 NOT AVAILABLE FOR PURCHASE)

Dimensions:  
 mm  
 [inches]



**HAMMOND  
 MANUFACTURING®**  
 DESIGN RESOURCE  
 1593X PCB  
[www.hammondmfg.com](http://www.hammondmfg.com)