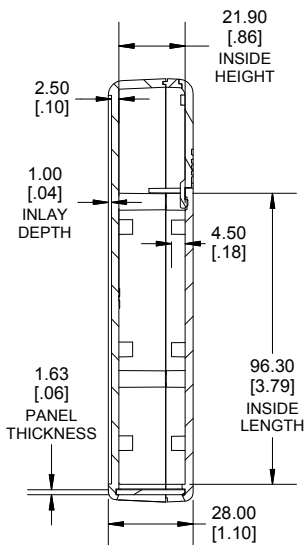
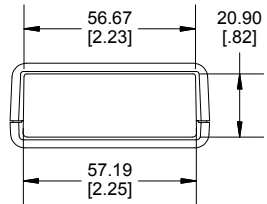
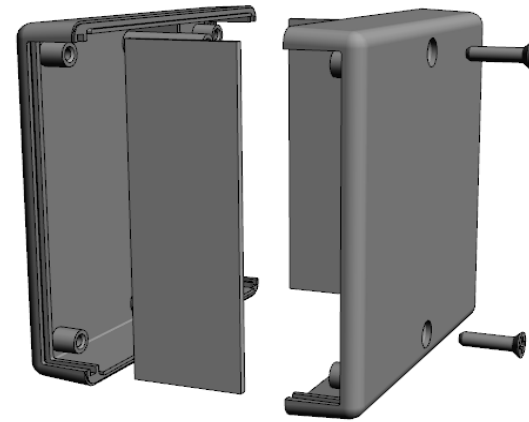


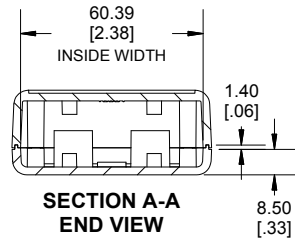
TOP VIEW



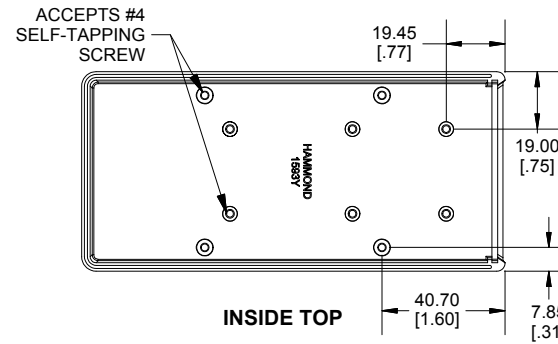
SECTION B-B  
SIDE VIEW



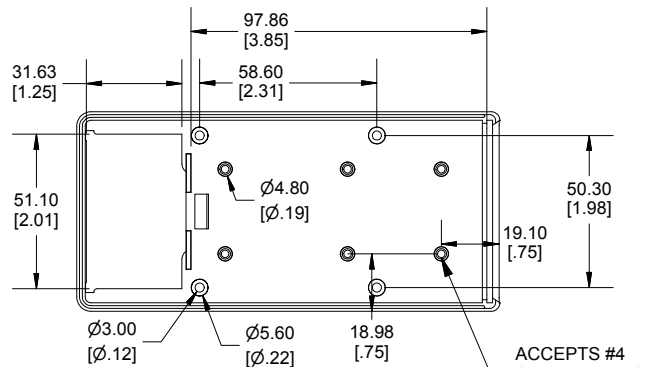
END VIEW



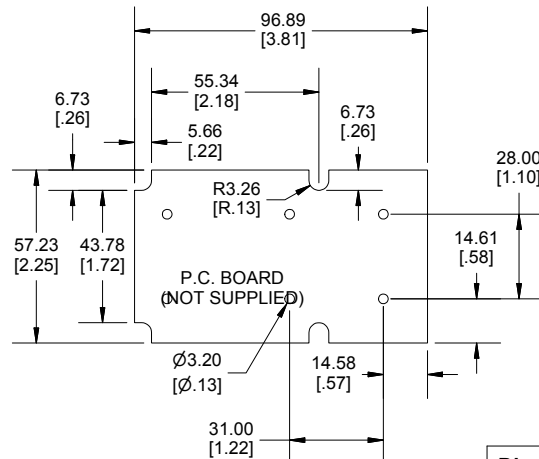
SECTION A-A  
END VIEW



INSIDE TOP



INSIDE BOTTOM



Enclosures can be Factory Modified (Milling, Drilling, Printing etc.)  
Contact Factory (modshop@hammondmfg.com) for quotes  
Solid models of this enclosure available in .stp or .x\_t  
(Part number and text placement/orientation on our products are subject to change,  
we do not recommend using them as a locating reference for modification purposes)

**NOTE**

Enclosure molded from GP ABS (UL94-HB) plastic.  
Purchased assembly includes top and bottom cover, 1 flat aluminum panel for front,  
battery door and 4 cover screws.

**Recommended Cover Screw Torque - 57lbf-in ( 40cN-m)**

**1593**

**1593Y Regular Enclosure**

Black Enclosure	1593YALBK
Grey Enclosure	1593YALGY
Translucent Blue Enclosure	1593YALTBU

**ACCESSORIES**

Cover Screws #4 X 3/4" Self-Tapping (100 Pkg)	1593QS100 (Silver) 1593QS100BK (Black)
P.C. Board Screws #4 X 1/4" Self-Tapping	1593ATS50 (Pkg 50)
Nylon Belt Clip	1599CLIP (Black) 1599CLIPGY (Grey)
1593Y STD FLAT PANEL Aluminum (Pkg 10)	1593PAL10

Dimensions:  
mm  
[inches]

