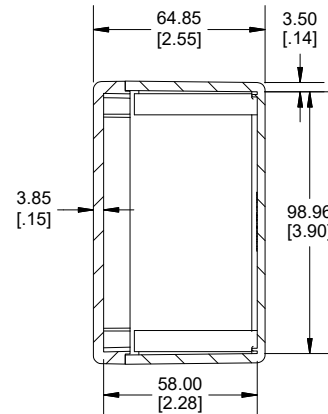
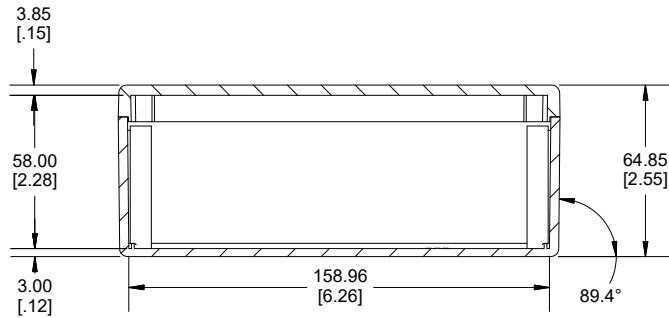
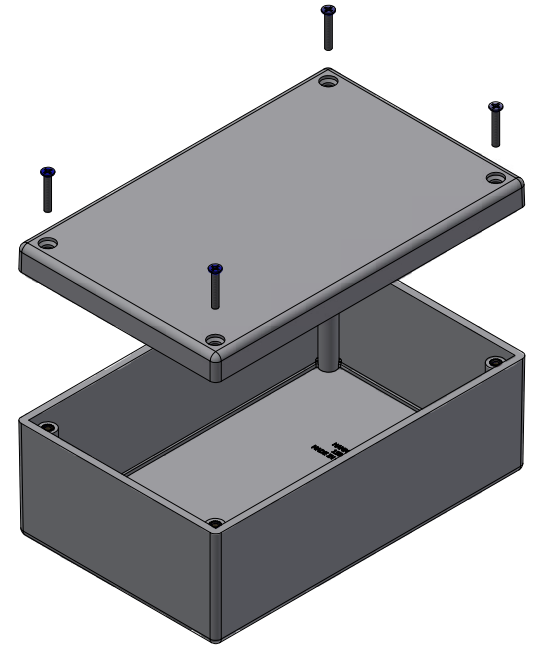


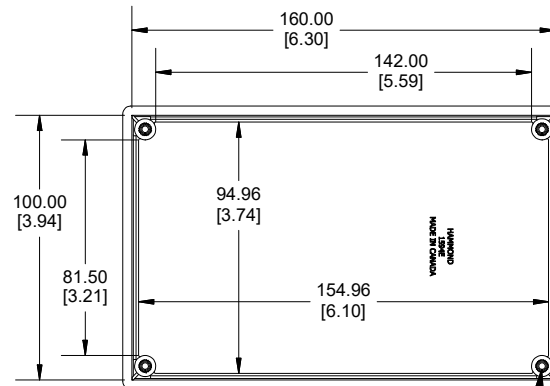
**ASSEMBLY - VIEW FROM TOP**



**SECTION A-A**



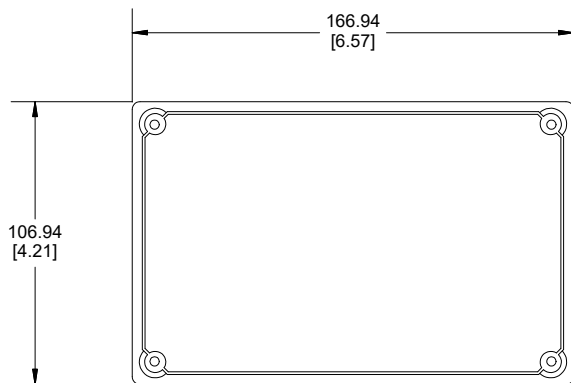
**SECTION B-B**



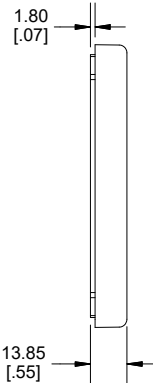
**BOX - VIEW FROM INSIDE**

M3x0.5 - 6H x 5.75 4X  
THREADED HOLES IN BRASS INSERTS

NOTE: SELF TAPPING SCREWS IN  
NON-FLAME RETARDANT ABS



**LID - VIEW FROM INSIDE**



Enclosures can be Factory Modified (Milling, Drilling, Printing etc.)  
Contact Factory (modshop@hammfg.com) for quotes  
Solid models of this enclosure available in .stp or .x\_t  
(Part number and text placement/orientation on our products are subject to change,  
we do not recommend using them as a locating reference for modification purposes)

<b>1594E Enclosure</b>	
<b>FLAME RETARDANT ABS</b>	
Black - RAL 9011	1594EBK
Grey - RAL 7018	1594EGY
<b>NON-FLAME RETARDANT ABS</b>	
Grey - RAL 7035	1594ESGY
Black - RAL 9011	1594ESBK
<b>LIQUID RESISTANT</b>	
Black - RAL 9011	1594EWBK
<b>EMI/RFI SHIELDED</b>	
Black Conductive Plastic	1594RFIEBK
Black Conductive Paint Shielded	1594REBK
<b>ACCESSORIES</b>	
Cover Screws Non-Flame Retardant (pkg. 100) [#4 x 1" Self-Tapping]	1594TS100
Cover Screws Flame Retardant (pkg. 100) [M3 - 0.5 x 20mm]	1594MS100



**HAMMOND**  
1594E  
www.hammondmfg.com

Dimensions:  
mm  
[inches]