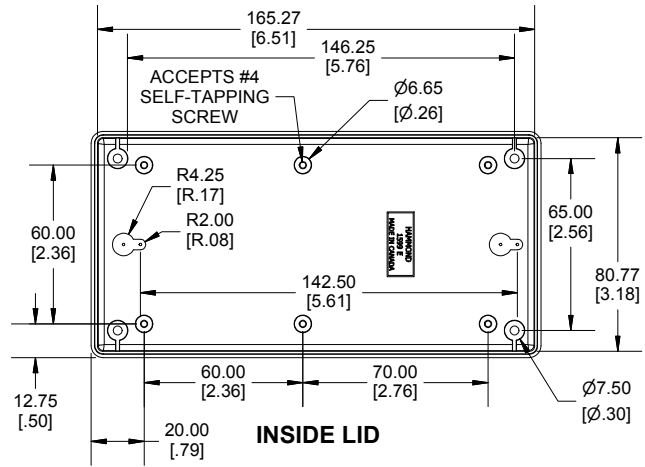
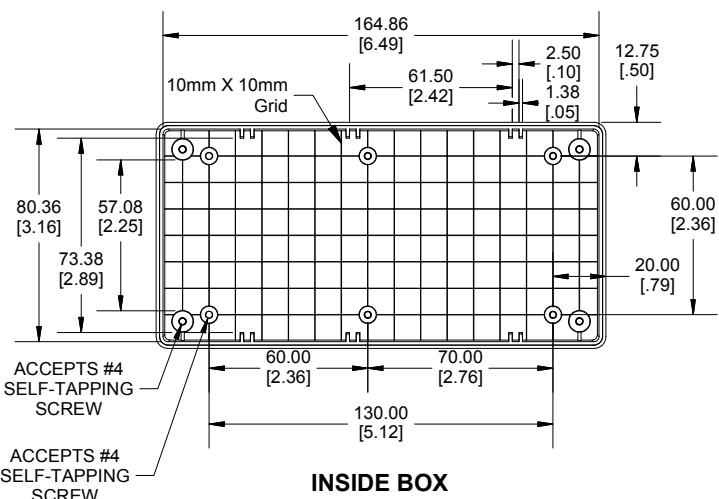


Enclosures can be Factory Modified (Milling, Drilling, Printing etc.)
 Contact Factory mjm@hammondmfg.com for quotes
 Solid models of this enclosure available in STEP or IGES.
 (Part number and text placement/orientation on our products are subject to change, we do not recommend using them as a locating reference for modification purposes)



NOTE	
Purchased assembly includes box, lid and 4 cover screws. Box and Lid are made from General Purpose ABS	
Recommended Torque: 42-57 ozf.in (30-40 cN.m)	
PART NUMBERS	
1599ES General Purpose ABS	
Grey GP-ABS	1599ESGY
ACCESSORIES	
Cover Screws (Pkg 100) [#4 x 5/8" Self-tapping Screw]	1593MS100 (Grey)
P.C Board Screws (Pkg of 50 or 100) [#4 x 1/4" Pan Head Self Tapping Screws]	1593ATS50 1593ATS100
Nylon Belt Clip	1599CLIP (Black) 1599CLIPGY (Grey)
ABS Divider Panel Grey	1599ED

Dimensions:
mm
[inches]

HAMMOND MANUFACTURING
1599ES
www.hammondmfg.com