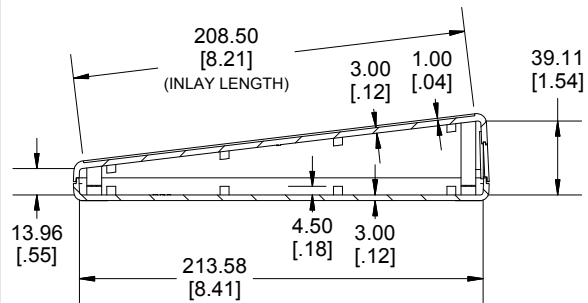
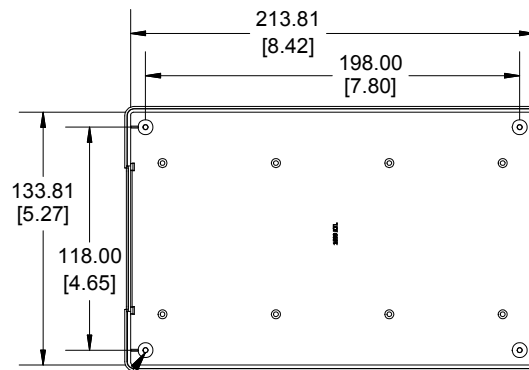


TOP VIEW

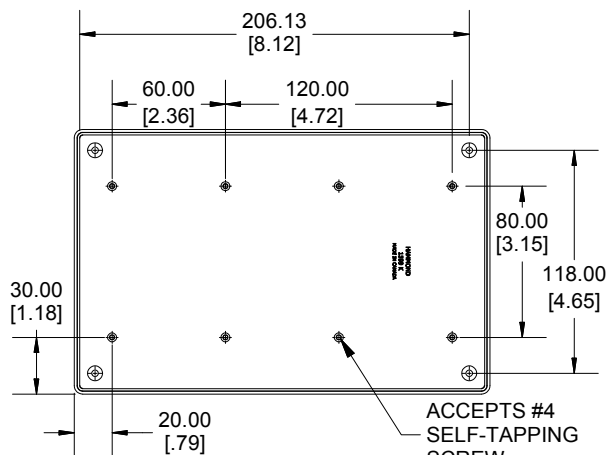


**SECTION A-A
END VIEW**



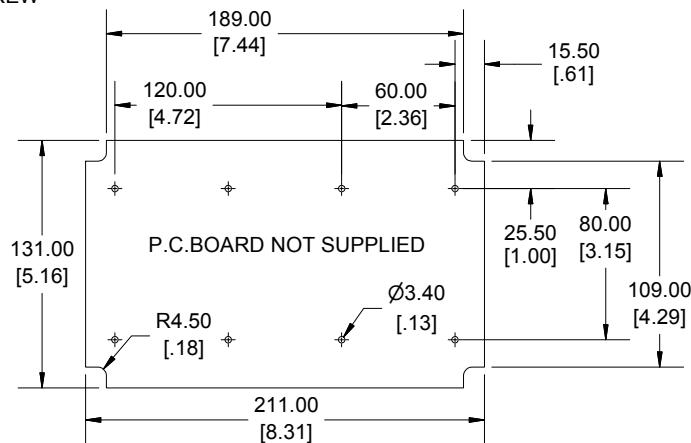
INSIDE LID

ACCEPTS #4
SELF-TAPPING
SCREW



INSIDE BOX

ACCEPTS #4
SELF-TAPPING
SCREW



MAXIMUM P.C. BOARD

Enclosures can be Factory Modified (Milling, Drilling, Printing etc.)
Contact Factory mjm@hammondmfg.com for quotes
Solid models of this enclosure available in STEP or IGES.
(Part number and text placement/orientation on our products are subject to change,
we do not recommend using them as a locating reference for modification purposes)

NOTE

Purchased assembly includes box, lid, battery door, front panel and 4 cover screws. Box and Lid are made from General Purpose ABS

Recommended Torque: 42-57 ozf.in (30-40 cN.m)

PART NUMBERS

1599KSTLBAT General Purpose ABS

Grey GP-ABS	1599KSTLGYBAT
-------------	---------------

ACCESSORIES

Cover Screws (Pkg 100) [#4 x 5/8" Self-tapping Screw]	1593MS100 (Grey)
P.C Board Screws (Pkg of 50 or 100) [#4 x 1/4" Pan Head Self Tapping Screws]	1593ATS50 1593ATS100
Nylon Belt Clip	1599CLIP (Black) 1599CLIPGY (Grey)

Dimensions:
mm
[inches]

