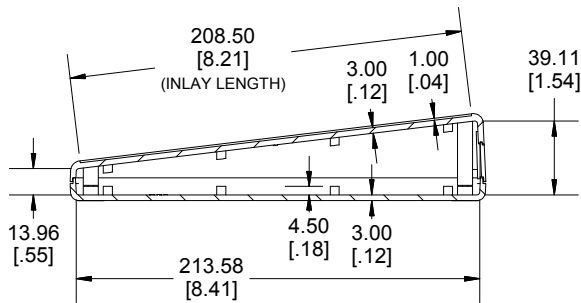
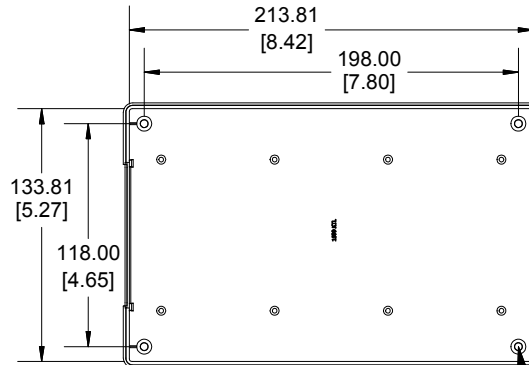


TOP VIEW

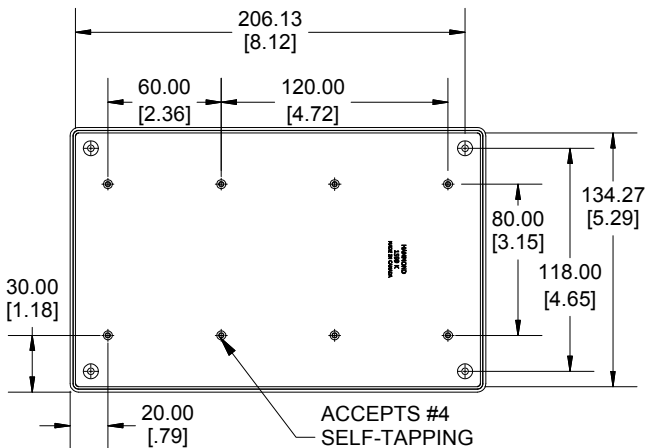


**SECTION A-A
END VIEW**

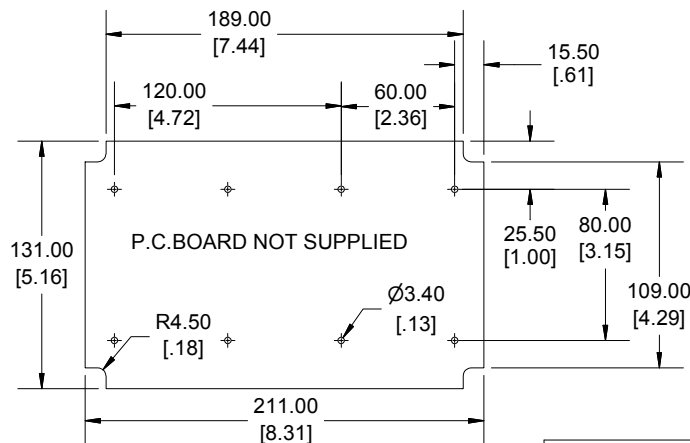


INSIDE LID

ACCEPTS
M3-0.5 SCREW



INSIDE BOX



MAXIMUM P.C. BOARD

Dimensions:
mm
[inches]

Enclosures can be Factory Modified (Milling, Drilling, Printing etc.)
Contact Factory mjm@hammondmfg.com for quotes
Solid models of this enclosure available in STEP or IGES.
(Part number and text placement/orientation on our products are subject to change,
we do not recommend using them as a locating reference for modification purposes)

NOTE

Purchased assembly includes box, lid, front panel and 4 cover screws. Box and Lid are made from Flame retardant ABS with a UL flammability rating of 94 V-0

Recommended Torque: 42-57 ozf.in (30-40 cN.m)

PART NUMBERS

1599KTL Fire Retardant ABS

Black FR-ABS

1599KTLBK

Grey FR-ABS

1599KTLGY

ACCESSORIES

Cover Screws (Pkg 100)

1599HMS100 (Grey)

[M3 - 0.5 x 12mm Machine Screws]

1599HMS100BK (Black)

P.C Board Screws (Pkg of 50 or 100)

1593ATS50

[#4 x 1/4" Pan Head Self Tapping Screws]

1593ATS100

Nylon Belt Clip

1599CLIP (Black)

1599CLIPGY (Grey)

**HAMMOND
MANUFACTURING**

1599KTL

www.hammondmfg.com