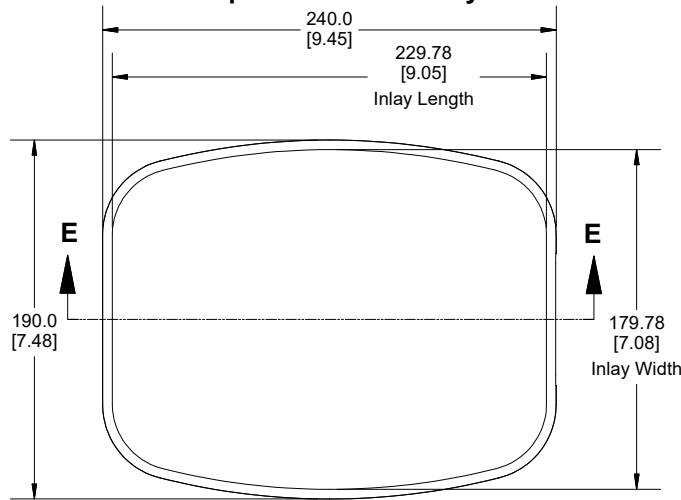
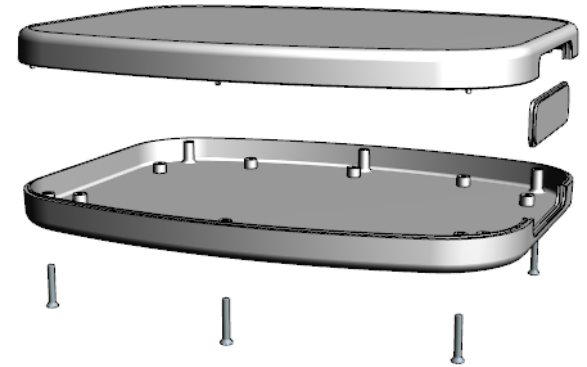
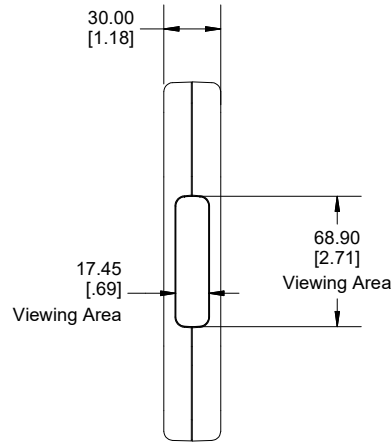


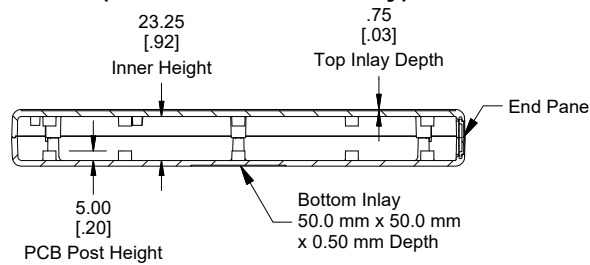
Top View of Assembly



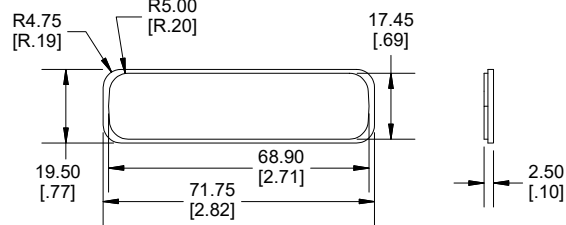
End View of Assembly



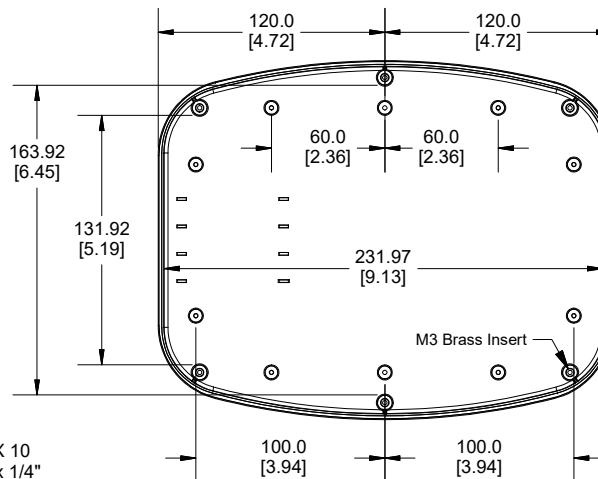
**SECTION E-E
(Side View of Assembly)**



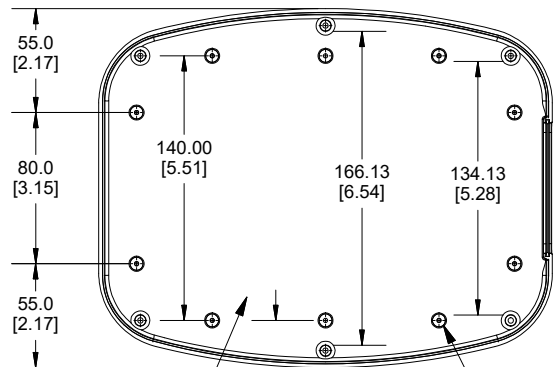
Removable Panel



Inside View Top



Inside View Bottom



Drawings available for maximum P.C Board size for top and bottom

25.0 [.98]

PCB Posts X 10 Accepts #4 x 1/4" Self-Tapping Screw

Enclosures can be Factory Modified (Milling, Drilling, Printing etc.) Contact Factory (modshop@hammfg.com) for quotes Solid models of this enclosure available in .stp or .x_t (Part number and text placement/orientation on our products are subject to change, we do not recommend using them as a locating reference for modification purposes)

NOTE

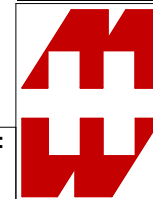
Purchased assembly includes top and bottom cover, 1 removable panel and 6 cover screws (M3-0.5 x 18mm) . M3 Brass inserts are installed for cover screws. Enclosure molded from FR ABS (UL94-V0) plastic.

Recommended Cover Screw Torque - 43-50 oz.in (30-35cN-m)

PART NUMBERS

1599TABL Enclosure	
Black Enclosure	1599TABL BK
Grey Enclosure	1599TABLGY
ACCESSORIES	
Replacement Cover Screws [M3-0.5 x 18mm] (Pkg 100)	1594MS100 (Silver) 1594MS100BK (Black)
P.C. Board Screws (#4 x 1/4" Self Tapping)	1593ATS50 (Pkg 50) 1593ATS100 (Pkg 100)
1599TABL End Panel (Single Panel)	1599TABLPLBK-B (Black) 1599TABLPLGY-B (Grey)

Dimensions:
mm
[inches]



**HAMMOND
MANUFACTURING®**

1599TABL

www.hammondmfg.com