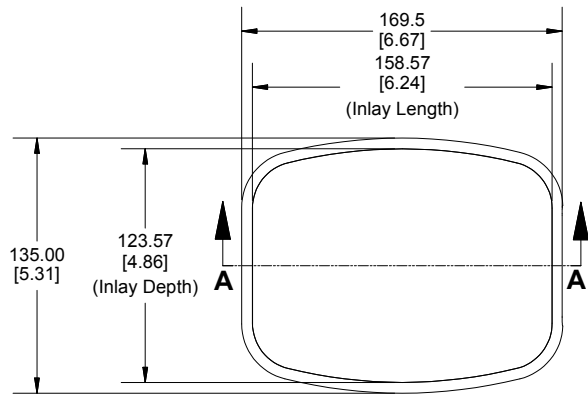
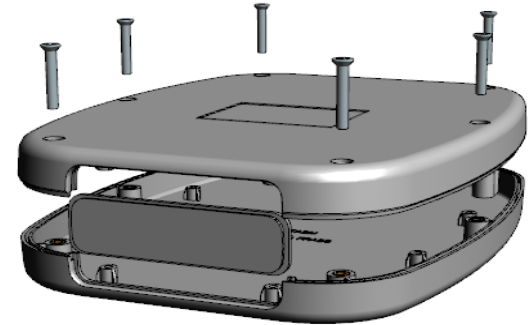
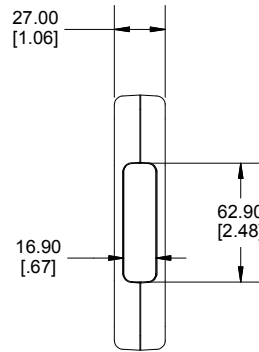


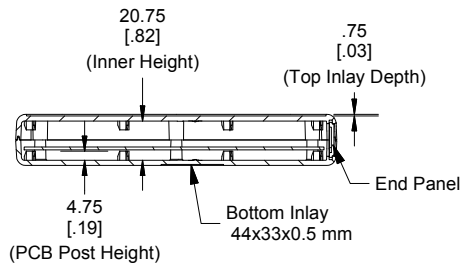
Top View of Assembly



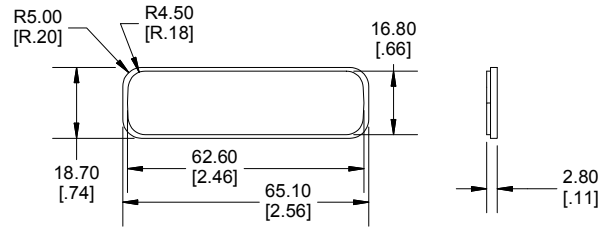
End View of Assembly



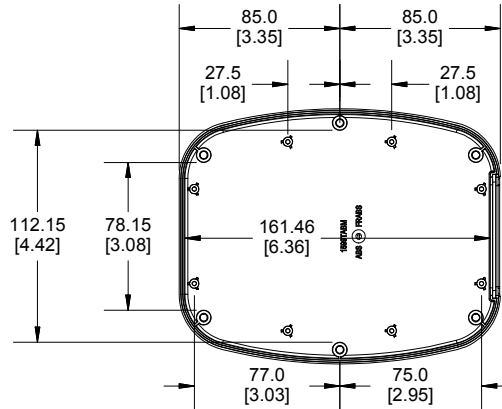
SECTION A-A (Side View of Assembly)



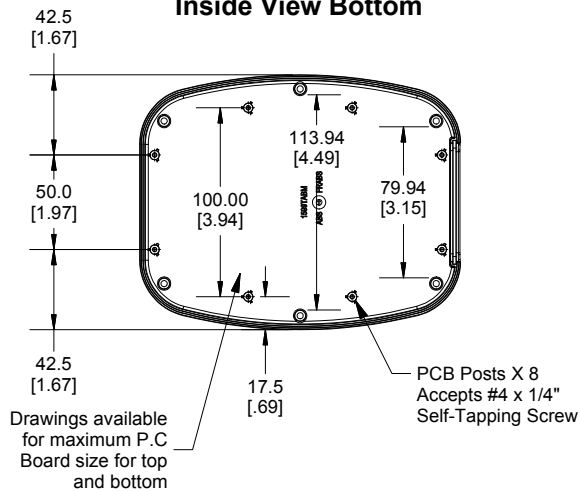
Removable Panel



Inside View Top



Inside View Bottom



Enclosures can be Factory Modified (Milling, Drilling, Printing etc.)
 Contact Factory mjm@hammondmfg.com for quotes
 Solid models of this enclosure available in STEP or IGES.
 (Part number and text placement/orientation on our products are subject to change,
 we do not recommend using them as a locating reference for modification purposes)

NOTE

Purchased assembly includes top and bottom cover, 1 removable panel and 6 cover screws (M3-0.5 x 18mm) . M3 Brass inserts are installed for cover screws. Enclosure molded from FR ABS (UL94-V0) plastic.

Recommended Cover Screw Torque - 43-50 ozf.in (30-35cN-m)

PART NUMBERS

1599TABM Enclosure	
Black Enclosure	1599TABMBK
Grey Enclosure	1599TABMGY
ACCESSORIES	
Replacement Cover Screws [M3-0.5 x 18mm] (Pkg 100)	1594MS100 (Silver) 1594MS100BK (Black)
P.C. Board Screws (#4 x 1/4" Self Tapping)	1593ATS50 (Pkg 50) 1593ATS100 (Pkg 100)
1599TABM End Panel (Single Panel)	1599TABMPLBK-B (Black) 1599TABMPLGY-B (Grey)

Dimensions:
mm
[inches]

