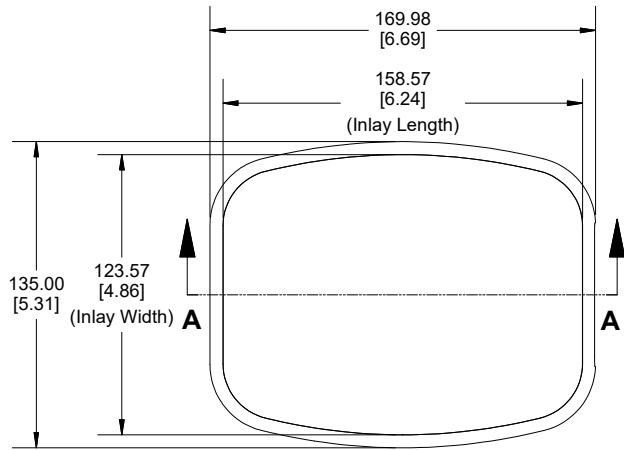
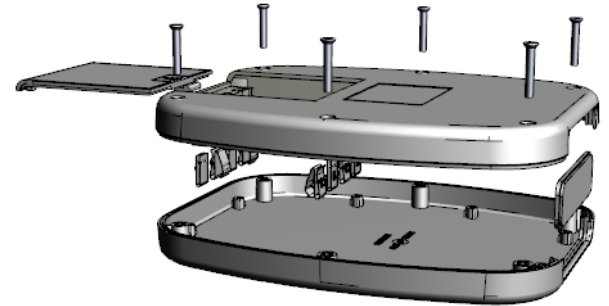
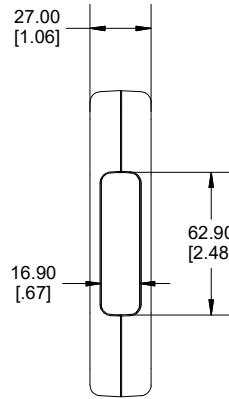


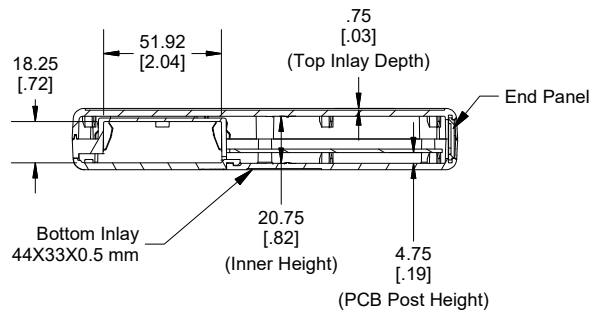
### Top View of Assembly



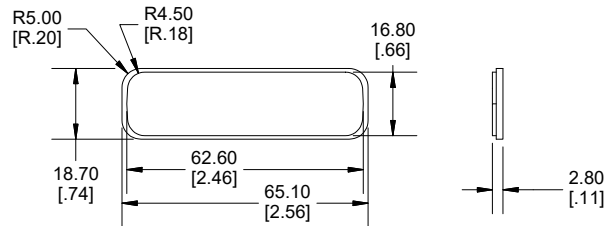
### End View of Assembly



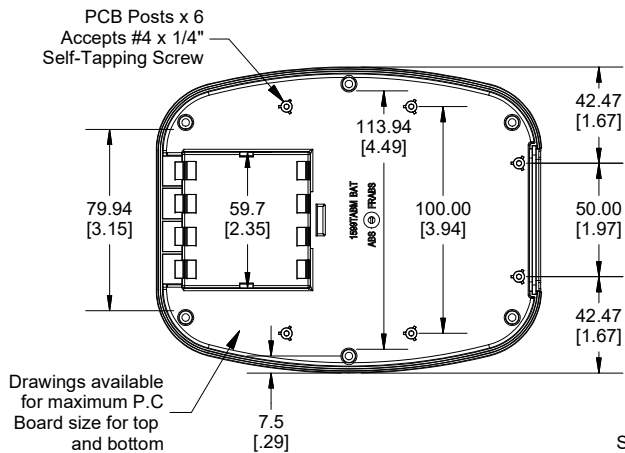
### SECTION A-A (Side View of Assembly)



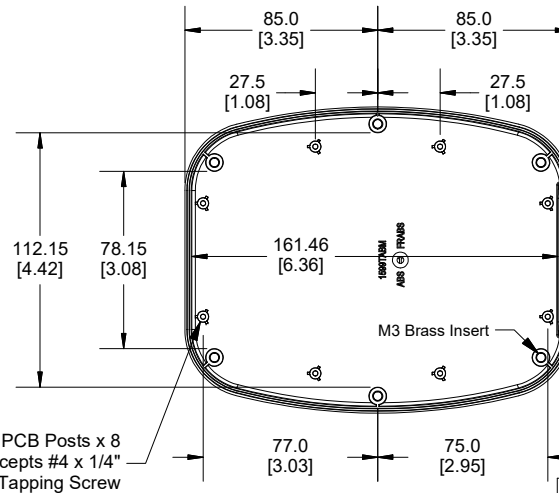
### Removable Panel



### Inside View Bottom



### Inside View Top



Enclosures can be Factory Modified (Milling, Drilling, Printing etc.)  
Contact Factory ([modshop@hammfg.com](mailto:modshop@hammfg.com)) for quotes  
Solid models of this enclosure available in .stp or .x\_t  
(Part number and text placement/orientation on our products are subject to change,  
we do not recommend using them as a locating reference for modification purposes)

#### NOTE

Purchased assembly includes top and bottom cover, 1 removable panel, battery door, battery spring clips (8 pcs), 9V adapter (2 pcs) and 6 cover screws (M3-0.5 x 18mm).  
M3 Brass inserts are installed for cover screws.  
Enclosure molded from FR ABS (UL94-V0).

**Recommended Cover Screw Torque - 35-40cN-m (50-57 ozf.in)**

#### PART NUMBERS

##### 1599TABMBAT Enclosure

Black Enclosure	1599TABMBKBAT
Grey Enclosure	1599TABMGYBAT

#### ACCESSORIES

Replacement Cover Screws [M3-0.5 x 18mm] (Pkg 100)	1594MS100 (Silver) 1594MS100BK (Black)
P.C. Board Screws (#4 x 1/4" Self Tapping)	1593ATS50 (Pkg 50) 1593ATS100 (Pkg 100)
1599TABM End Panel (Single Panel)	1599TABMPLBK-B (Black) 1599TABMPLGY-B (Grey)
9V Battery Kit	53BATCLIP9V-B
AA Battery Clip Kit (4 positive and 4 Negative)	1553HDR-BKIT

Dimensions:  
mm  
[inches]

**HAMMOND  
MANUFACTURING.  
1599TABMBAT**  
[www.hammondmfg.com](http://www.hammondmfg.com)