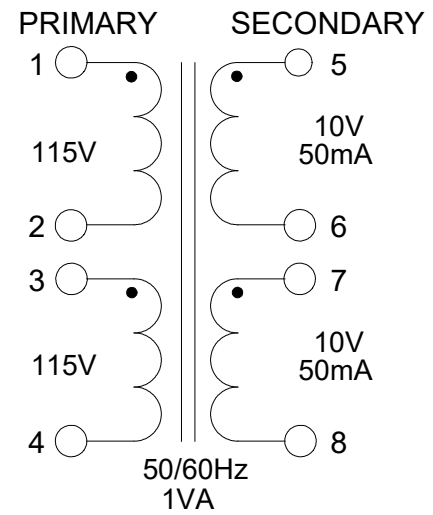
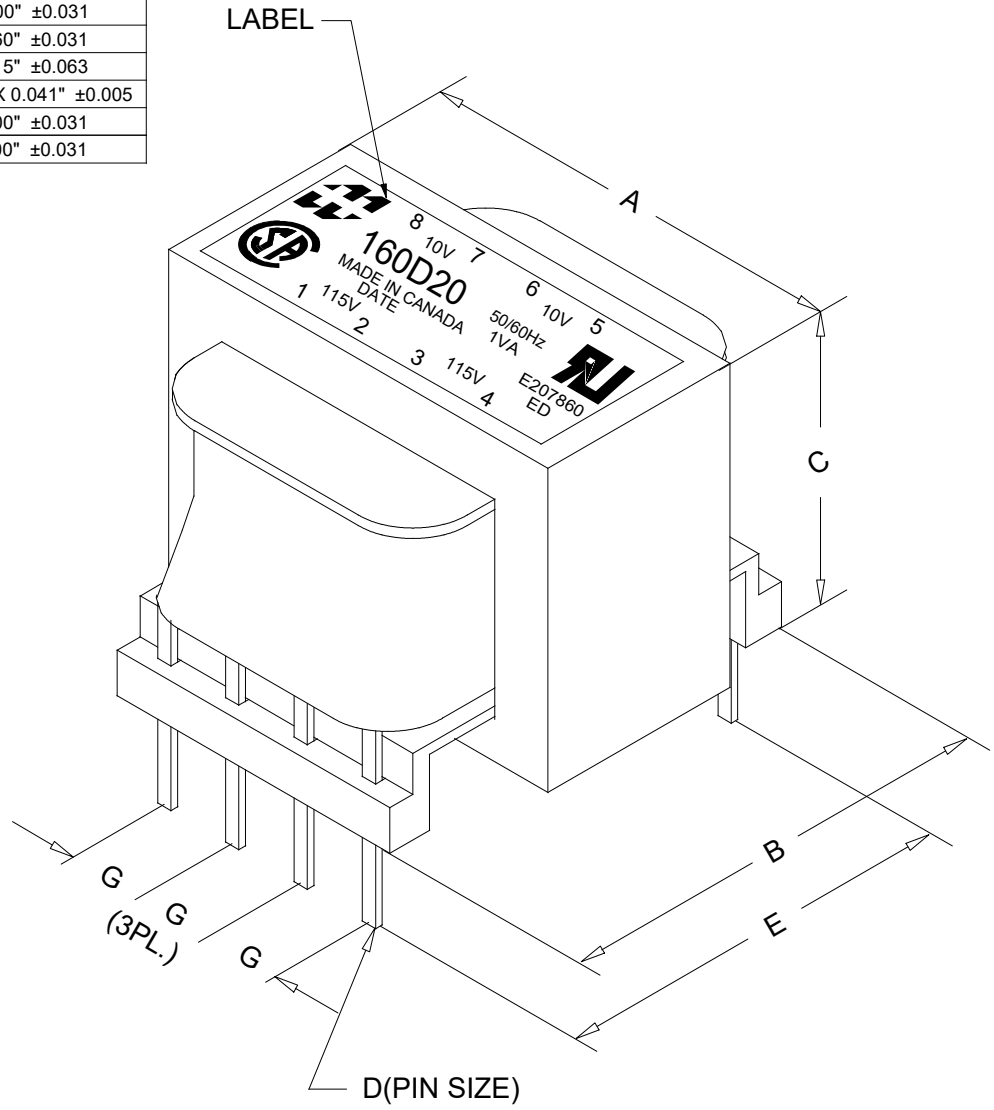


DIMENSIONS:	
A	1.000" ±0.031
B	1.360" ±0.031
C	0.815" ±0.063
D	0.018" X 0.041" ±0.005
E	1.200" ±0.031
G	0.200" ±0.031



ELECTRICAL DATA:		
TESTS	CONDITIONS	ACCEPTANCE CRITERIA
lex	@ 115V, 60Hz, PIN 1 - PIN 2	6mA Max.
Sec. N.L.V	@ 115V, 60Hz, PIN 1 - PIN 2	
	PIN 3 - PIN 4 =	115.0V ±2%
	PIN 5 - PIN 6 =	12.16V ±2%
	PIN 7 - PIN 8 =	12.16V ±2%
DCR	@ 20°C, PIN 1 - PIN 2 =	1.488kΩ ±20%
	@ 20°C, PIN 3 - PIN 4 =	1.617kΩ ±20%
	@ 20°C, PIN 5 - PIN 6 =	19.89 Ω ±20%
	@ 20°C, PIN 7 - PIN 8 =	19.89 Ω ±20%
HIPOT	PRIMARY - SECONDARY	2000V, 60Hz, 1 SEC

REV.#	REVISION	DATE
0	RELEASED.	C.I. 03/19/24

<b>HAMMOND MANUFACTURING</b> ELECTRONIC DIVISION 52 RANKIN PLACE, WATERLOO, ONTARIO, N2J 3Z5	PH # (519) 886-6181
	FAX # (519) 886-9540
DWG. BY: C. ILIE DATE: 03/19/24	CHK'D BY: APP'D. BY: DIMENSIONS: IN(X) MM( )
TITLE: PC BOARD MOUNT POWER TRANSFORMER	DWG. NO. 160D20