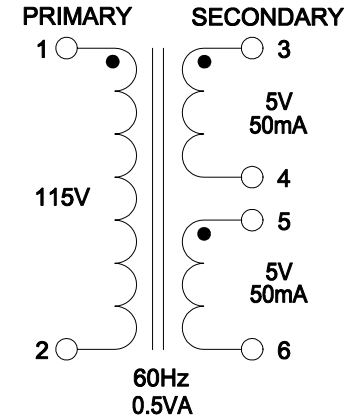
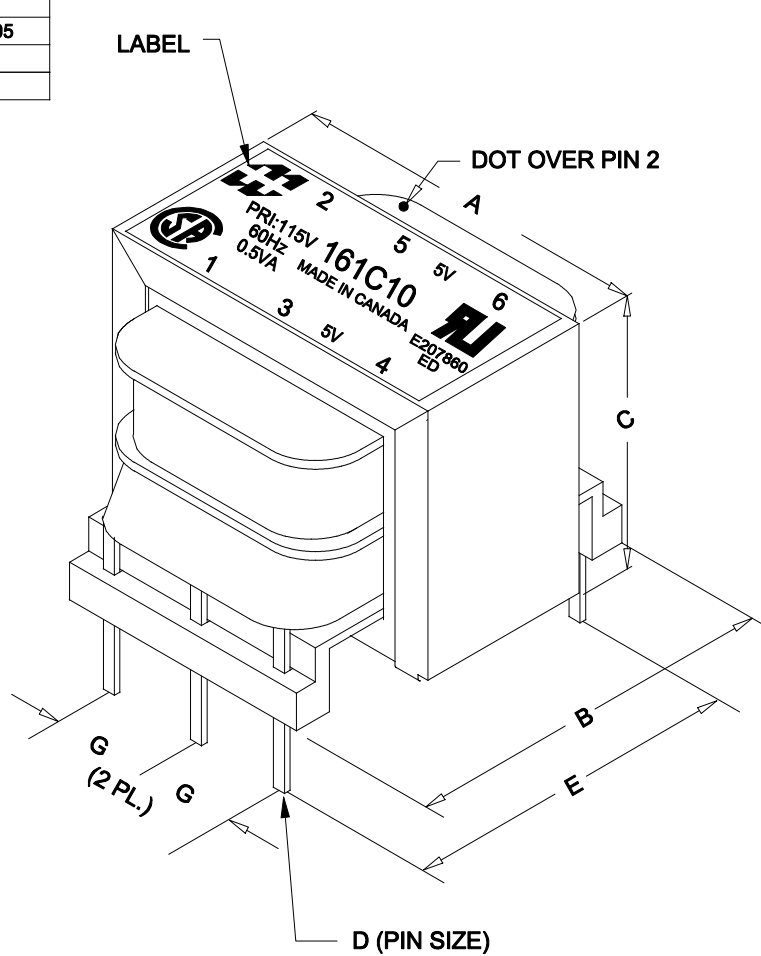


DIMENSIONS:	
A	1.000" ±0.031
B	0.940" ±0.031
C	0.840" ±0.063
D	0.025" SQ. ±0.005
E	0.780" ±0.031
G	0.200" ±0.031



ELECTRICAL DATA:		
TESTS	CONDITIONS	ACCEPTANCE CRITERIA
Iex	@ 115V, 60Hz, PIN 1 - PIN 2	12mA Max.
Sec. N.L.V	@ 115V, 60Hz, PIN 1 - PIN 2	
	PIN 3 - PIN 4 =	7.470V ±2%
	PIN 5 - PIN 6 =	7.772V ±2%
DCR	@ 20°C, PIN 1 - PIN 2 =	2.875kΩ ±20%
	@ 20°C, PIN 3 - PIN 4 =	23.23 Ω ±20%
	@ 20°C, PIN 5 - PIN 6 =	28.36 Ω ±20%
HIPOT	PRIMARY - SECONDARY	1500V, 60Hz, 1 SEC

REV.#	REVISION	DATE	HAMMOND ELECTRONIC DIVISION		52 RANKIN PLACE, WATERLOO, ONTARIO, N2J 3Z5		PH # (519) 886-6181
0	RELEASED.	C.I. 10/24/16	MANUFACTURING™				FAX # (519) 886-9540
			DWG. BY: C. ILIE	CHK'D BY:	TITLE: PC BOARD MOUNT	DWG. NO.	
			DATE: 10/24/16	APP'D. BY:	POWER TRANSFORMER	161C10	
				DIMENSIONS: IN(X) MM()			