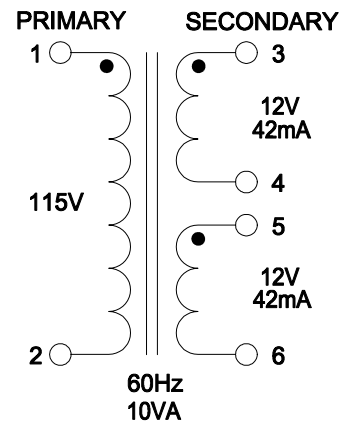
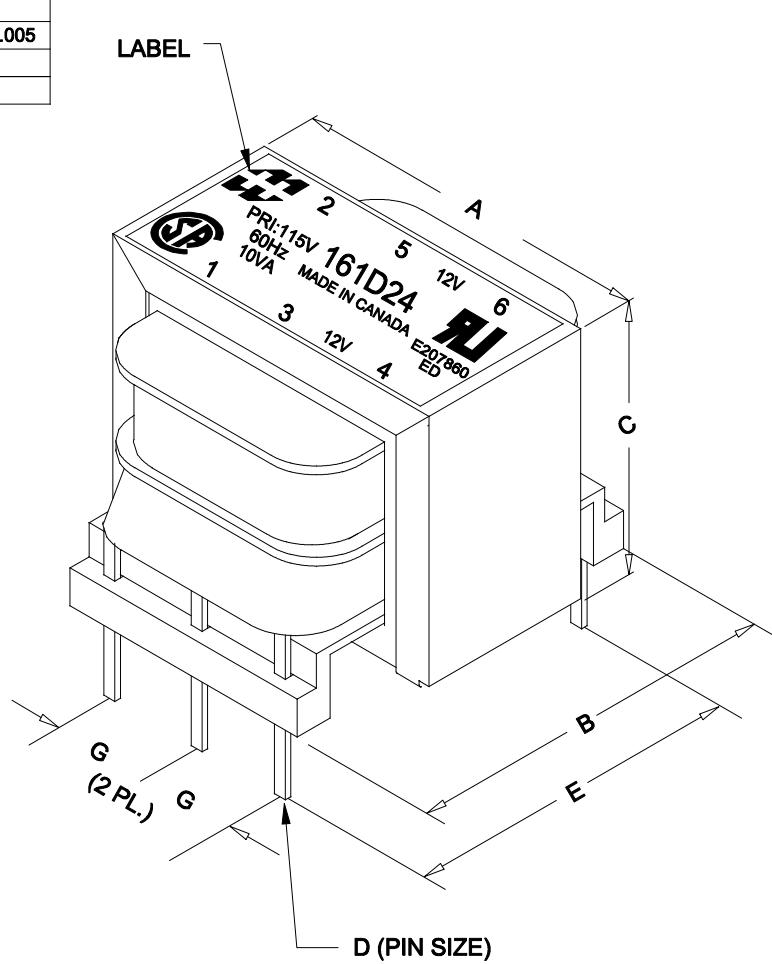


DIMENSIONS:	
A	1.000" ±0.031
B	1.360" ±0.031
C	0.830" ±0.063
D	0.018" X 0.041" ±0.005
E	1.200" ±0.031
G	0.250" ±0.031



NOTE: RED DOT ABOVE PIN 2 DOES NOT REPRESENT POLARITY DOT. THE DOT REPRESENTS MECHANICAL START AND IT IS USED FOR MANUFACTURING PURPOSES ONLY.

ELECTRICAL DATA:			
TESTS	CONDITIONS	ACCEPTANCE CRITERIA	
lex	@ 115V, 60Hz, PIN 1 - PIN 2	12mA	Max.
Sec. N.L.V	@ 115V, 60Hz, PIN 1 - PIN 2		
	PIN 3 - PIN 4 =	14.48V	±2%
	PIN 5 - PIN 6 =	14.48V	±2%
DCR	@ 20°C, PIN 1 - PIN 2 =	546.5 Ω	±20%
	@ 20°C, PIN 3 - PIN 4 =	31.26 Ω	±20%
	@ 20°C, PIN 5 - PIN 6 =	33.78 Ω	±20%
HIPOT	PRIMARY - SECONDARY	1500V, 60Hz, 1 SEC	

REV.#	REVISION	DATE
0	RELEASED.	C.I. 05/08/18

HAMMOND MANUFACTURING™	ELECTRONIC DIVISION 52 RANKIN PLACE, WATERLOO, ONTARIO, N2J 3Z5		PH # (519) 886-6181 FAX # (519) 886-9540
	DWG. BY: C. ILIE DATE: 05/08/18	CHK'D BY: APP'D. BY: DIMENSIONS: IN(X) MM()	TITLE: PC BOARD MOUNT POWER TRANSFORMER