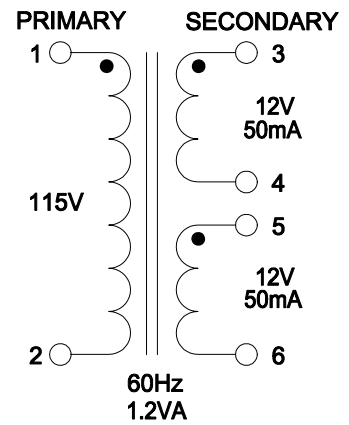
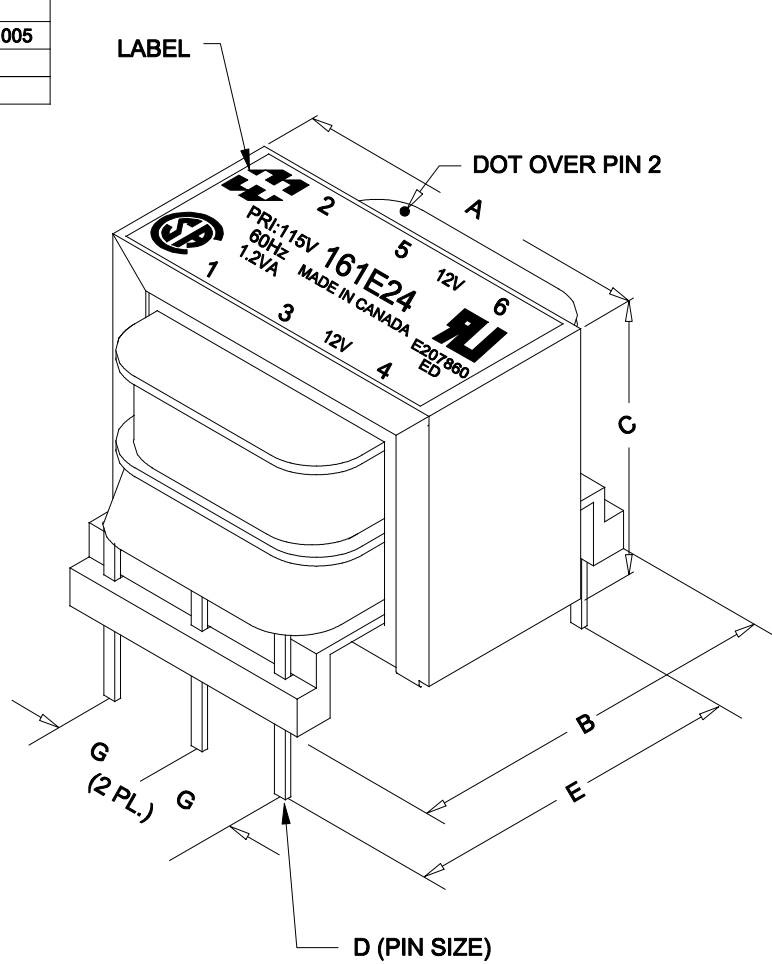


DIMENSIONS:	
A	1.451" ±0.031
B	1.130" ±0.031
C	1.245" ±0.063
D	0.018" X 0.041" ±0.005
E	1.000" ±0.031
G	0.312" ±0.031



ELECTRICAL DATA:		
TESTS	CONDITIONS	ACCEPTANCE CRITERIA
Iex	@ 115V, 60Hz, PIN 1 - PIN 2	20mA Max.
Sec. N.L.V	@ 115V, 60Hz, PIN 1 - PIN 2	
	PIN 3 - PIN 4 =	13.76V ±2%
	PIN 5 - PIN 6 =	13.76V ±2%
DCR	@ 20°C, PIN 1 - PIN 2 =	443.7 Ω ±20%
	@ 20°C, PIN 3 - PIN 4 =	11.33 Ω ±20%
	@ 20°C, PIN 5 - PIN 6 =	14.88 Ω ±20%
HIPOT	PRIMARY - SECONDARY	1500V, 60Hz, 1 SEC

REV.#	REVISION	DATE
0	RELEASED.	C.I. 05/08/18

	<b>ELECTRONIC DIVISION</b> 52 RANKIN PLACE, WATERLOO, ONTARIO, N2J 3Z5		PH # (519) 886-6181 FAX # (519) 886-9540
	DWG. BY: C. ILIE DATE: 05/08/18	CHK'D BY: APP'D. BY: DIMENSIONS: IN(X) MM( )	TITLE: PC BOARD MOUNT POWER TRANSFORMER