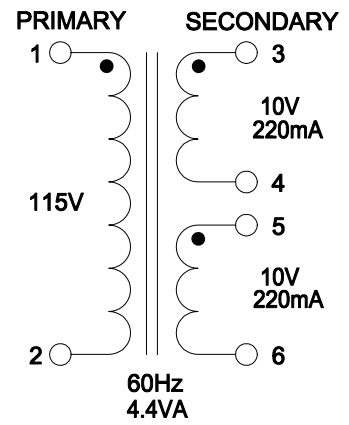
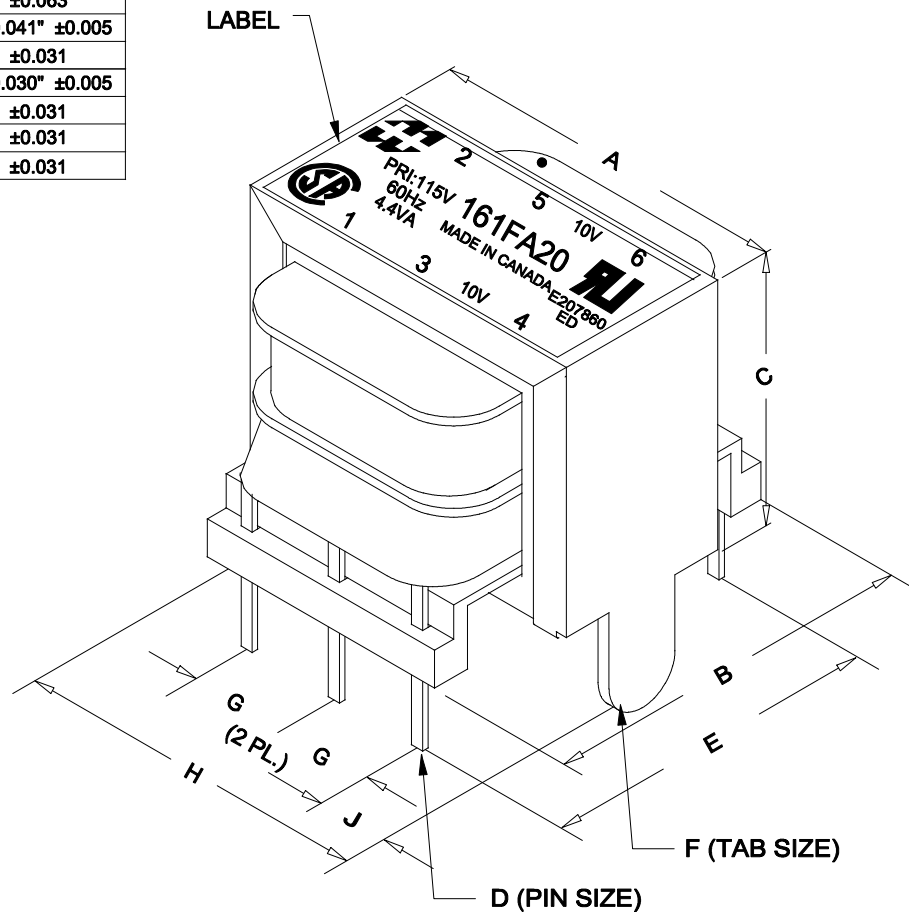


DIMENSIONS:	
A	1.688" ±0.031
B	1.250" ±0.031
C	1.450" ±0.063
D	0.018" X 0.041" ±0.005
E	1.100" ±0.031
F	0.125" X 0.030" ±0.005
G	0.400" ±0.031
H	1.670" ±0.031
J	0.460" ±0.031



NOTE: RED DOT ABOVE PIN 2 DOES NOT REPRESENT POLARITY DOT. THE DOT REPRESENTS MECHANICAL START AND IT IS USED FOR MANUFACTURING PURPOSES ONLY.

ELECTRICAL DATA:		
TESTS	CONDITIONS	ACCEPTANCE CRITERIA
Iex	@ 115V, 60Hz, PIN 1 - PIN 2	40mA Max.
Sec. N.L.V	@ 115V, 60Hz, PIN 1 - PIN 2	
	PIN 3 - PIN 4 =	11.78V ±2%
	PIN 5 - PIN 6 =	11.78V ±2%
DCR	@ 20°C, PIN 1 - PIN 2 =	149.1 Ω ±20%
	@ 20°C, PIN 3 - PIN 4 =	3.651 Ω ±20%
	@ 20°C, PIN 5 - PIN 6 =	3.651 Ω ±20%
HIPOT	PRIMARY - SECONDARY	2000V, 60Hz, 1 SEC

REV.#	REVISION	DATE	HAMMOND ELECTRONIC DIVISION		PH # (519) 886-6181 FAX # (519) 886-9540
0	RELEASED.	C.I. 12/08/22	MANUFACTURING™		
			DWG. BY: C. ILIE	CHK'D BY:	TITLE: PC BOARD MOUNT POWER TRANSFORMER
			DATE: 12/08/22	APP'D. BY:	
				DIMENSIONS: IN(X) MM( )	DWG. NO. 161FA20