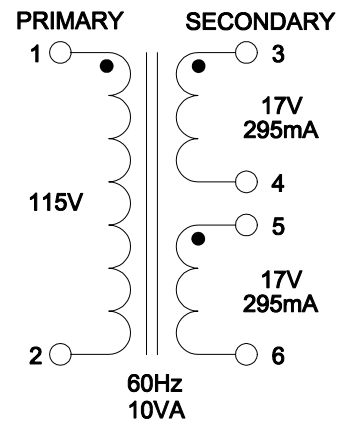
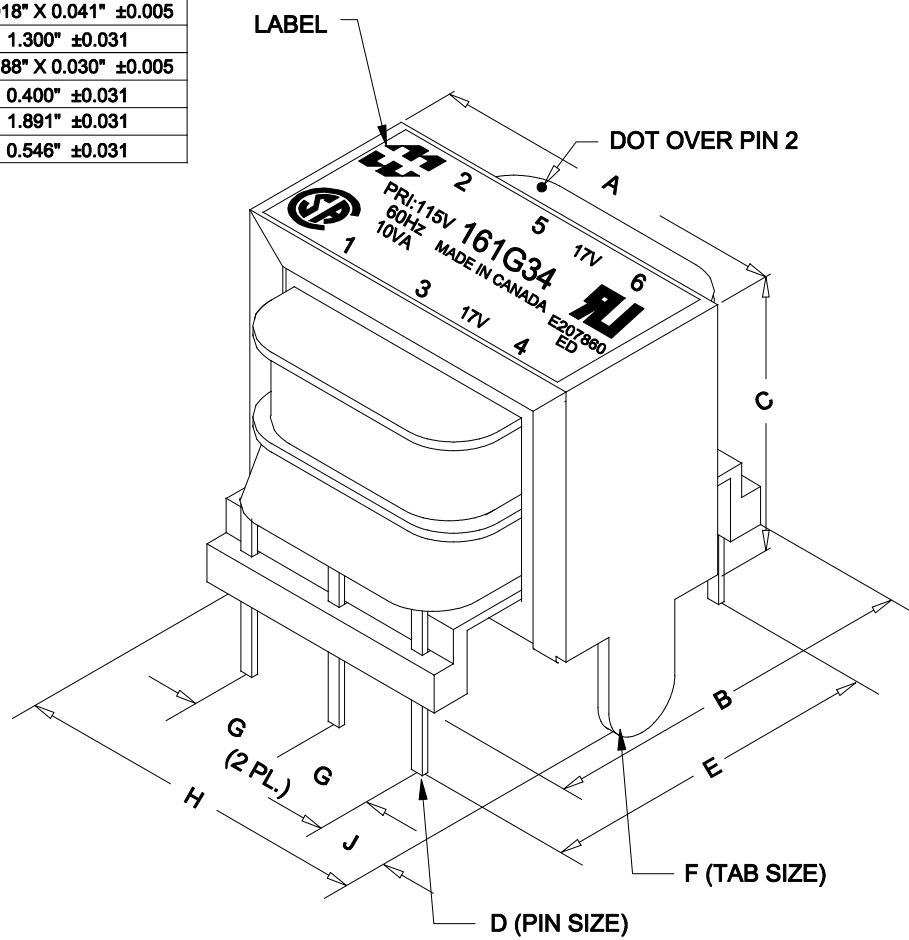


DIMENSIONS:	
A	1.938" ±0.031
B	1.438" ±0.031
C	1.688" ±0.063
D	0.018" X 0.041" ±0.005
E	1.300" ±0.031
F	0.188" X 0.030" ±0.005
G	0.400" ±0.031
H	1.891" ±0.031
J	0.546" ±0.031



ELECTRICAL DATA:		
TESTS	CONDITIONS	ACCEPTANCE CRITERIA
Iex	@ 115V, 60Hz, PIN 1 - PIN 2	74.4mA Max.
Sec. N.L.V	@ 115V, 60Hz, PIN 1 - PIN 2	
	PIN 3 - PIN 4 =	19.58V ±2%
	PIN 5 - PIN 6 =	19.58V ±2%
DCR	@ 20°C, PIN 1 - PIN 2 =	69.82 Ω ±20%
	@ 20°C, PIN 3 - PIN 4 =	3.781 Ω ±20%
	@ 20°C, PIN 5 - PIN 6 =	3.781 Ω ±20%
HIPOT	PRIMARY - SECONDARY	2000V, 60Hz, 1 SEC

REV.#	REVISION	DATE	HAMMOND ELECTRONIC DIVISION	
0	RELEASED.	C.I. 02/24/22	52 RANKIN PLACE, WATERLOO, ONTARIO, N2J 3Z5	
			PH # (519) 886-6181	
			FAX # (519) 886-9540	
			DWG. BY: C. ILIE	CHK'D BY:
			DATE: 02/24/22	APP'D. BY:
			DIMENSIONS: IN(X) MM( )	TITLE: PC BOARD MOUNT POWER TRANSFORMER
				DWG. NO. 161G34