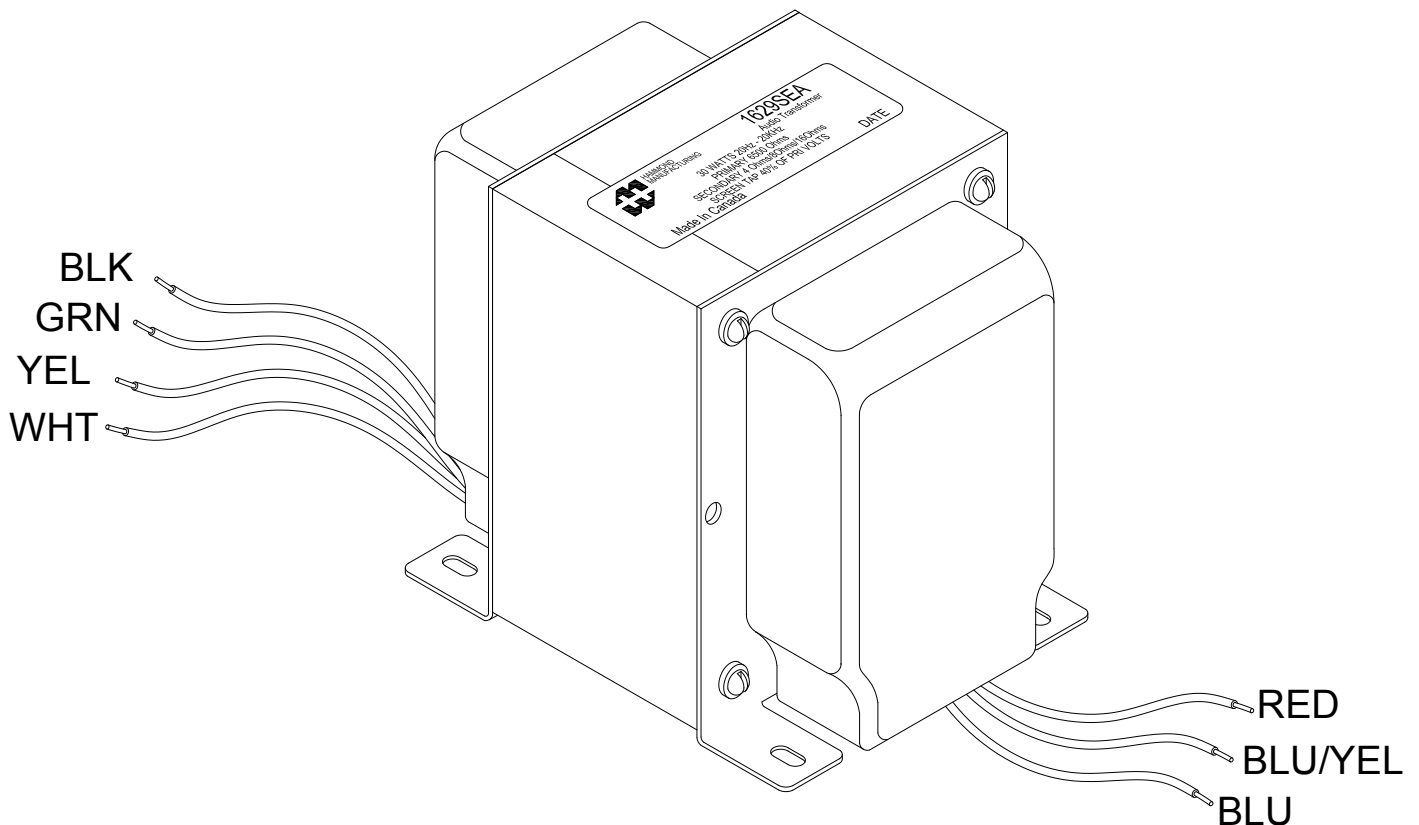




1629SEA

SINGLE ENDED "CLASSIC" TUBE OUTPUT TRANSFORMER – ULTRA-LINEAR

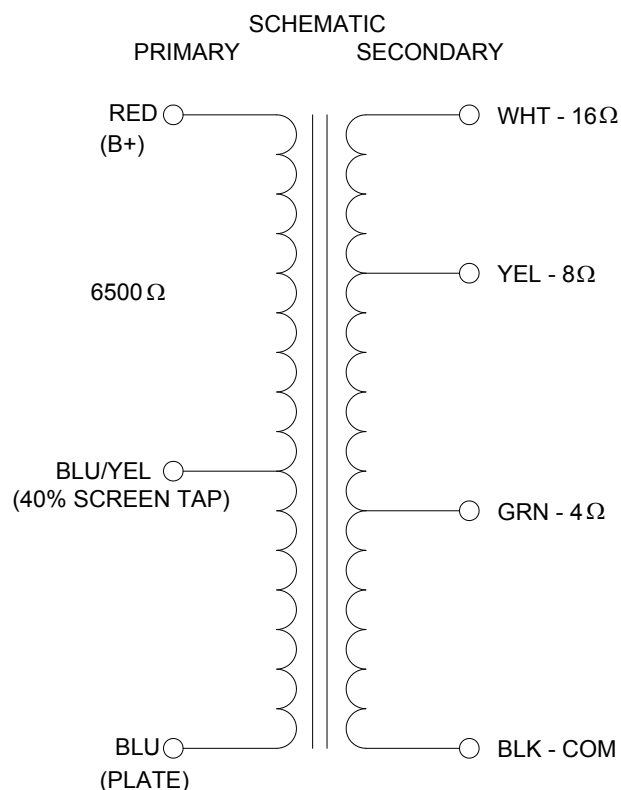
- Over designed" for high fidelity, single ended, Class-A, tube output circuits (triode, tetrode or pentode tubes).
- Enclosed (shielded), four slot, chassis Type "X" mounting.
- Frequency response at least 20Hz. to 20Khz. at full rated power (+/- 1db max., ref. 1Khz.)
- Insulated flexible leads 8" min.
- For maximum versatility, all units (except the 1642SE & 1638SEA) include a 40% screen tap for Ultra-Linear, tetrode/pentode operation (if desired). The 1642SE & 1638SEA do NOT include this screen tap as they were designed principally for high impedance triode tubes.
- High quality laminations, (M6) grain oriented silicon steel.
- Core is gapped to reduce core saturation in Class-A tube amplifier circuits.
- For general purpose or replacement use in single ended tube output circuits see our [125SE Series](#).



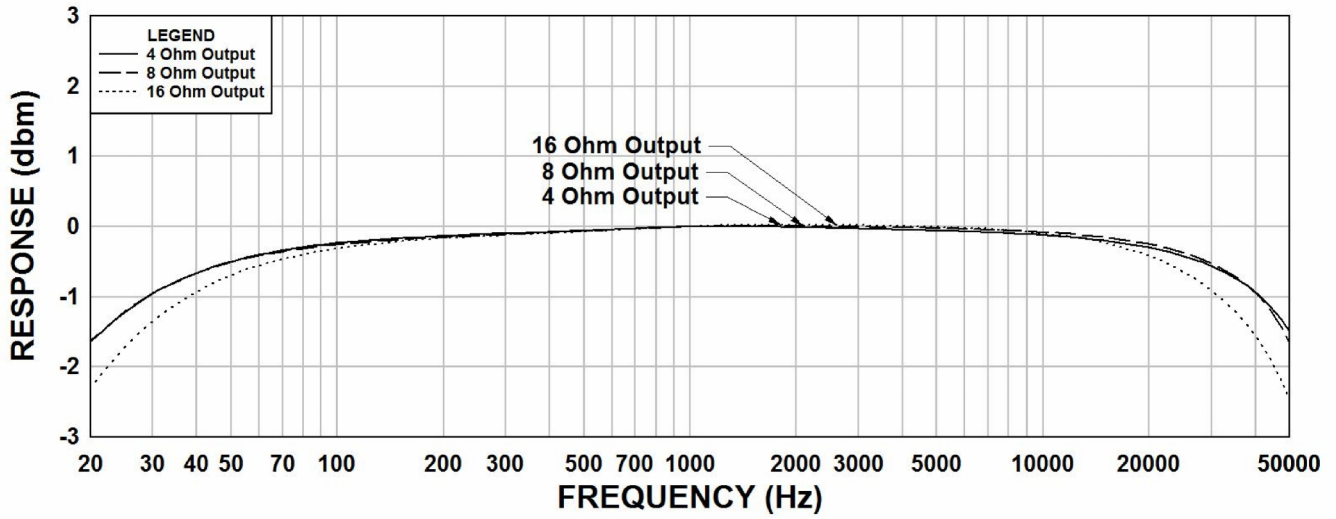
*For Full Dimensional Details see page 4

ELECTRICAL SPECIFICATIONS****Schematic and Hook Up Data**

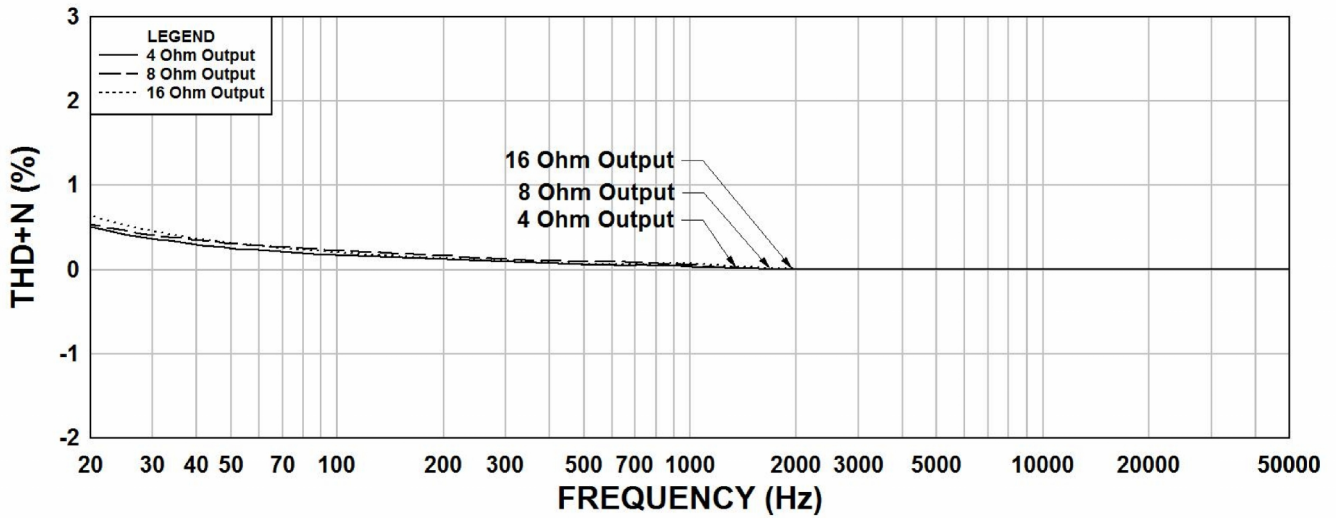
Characteristic	Typical
Input Impedance	6500 Ω
Output Impedance	4 Ω /8 Ω /16 Ω
Output Power	30Watts
Primary - DCR	
Blue – Red	197 Ω
Secondary DCR	
Black – Green	414m Ω
Black – Yellow	517m Ω
Black – White	721m Ω
Inductance	@ 1.0kHz, 1.0V OC
Primary – Blue – Red	20.4Hy
Black – Green	52.7mH
Black – Yellow	91.8mH
Black – White	149mH
Impedance	@ 1.0kHz, 1.0V OC
Primary – Blue – Red	126K Ω
Black – Green	236 Ω
Black – Yellow	432 Ω
Black – White	738 Ω
Frequency Response	See graphs for specific response, Typ. ± 1.0 db from 20Hz to 20KHz
Dielectric Strength	2000Vrms
Temperature Range	-40 To 105 $^{\circ}$ C



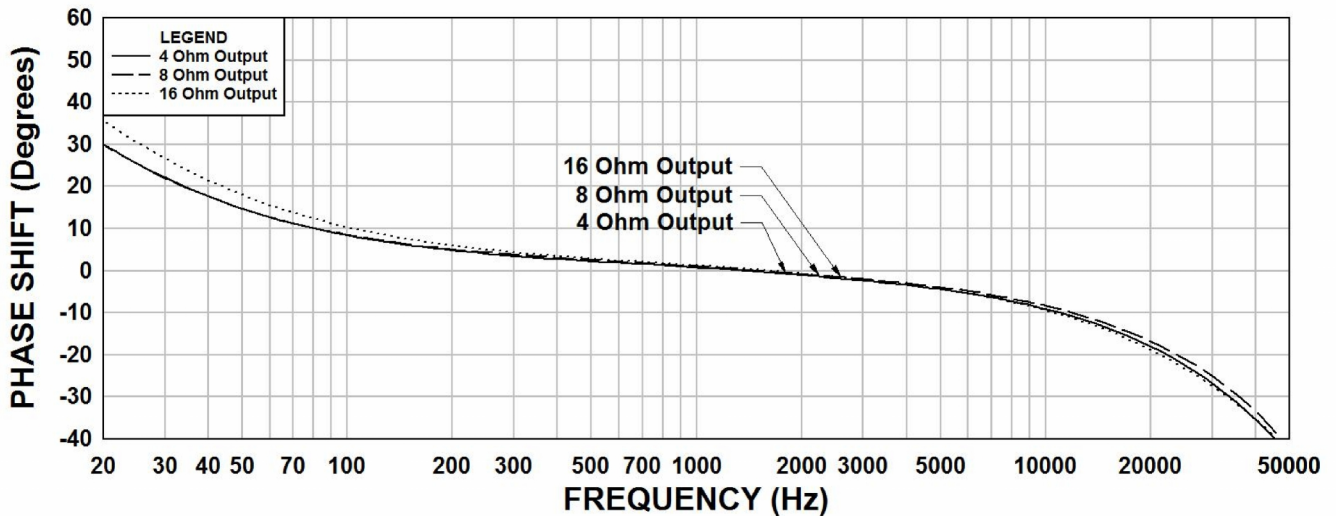
1629SEA Frequency Response $R_s = 6.5K$ Ohms



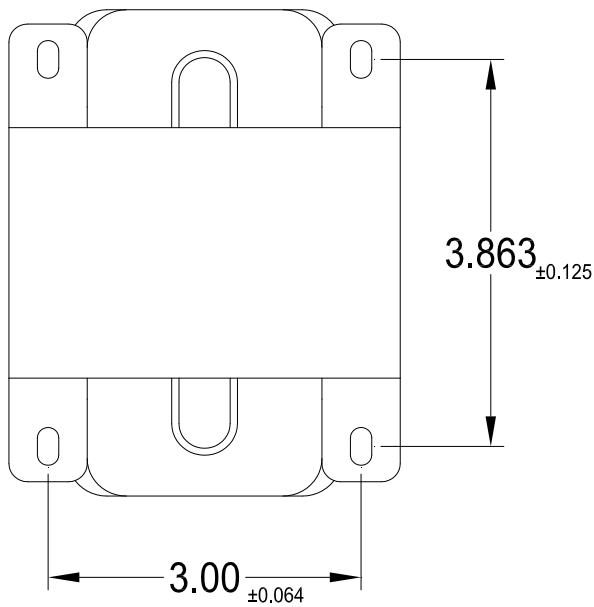
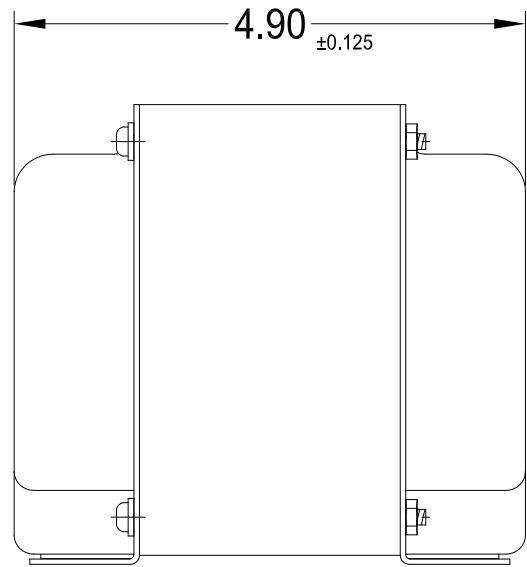
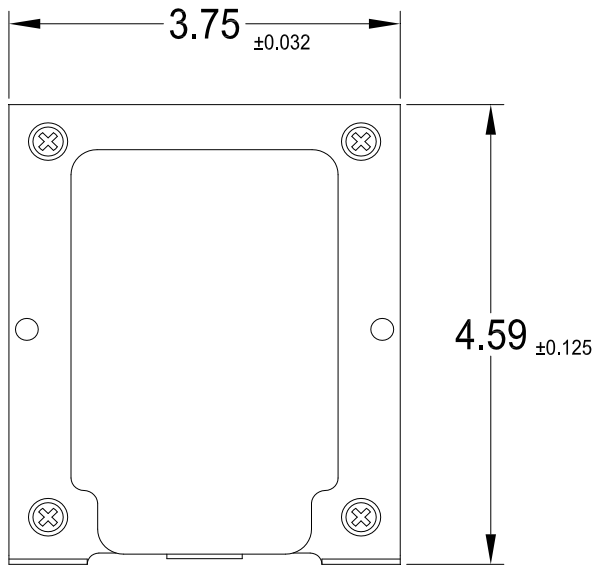
1629SEA THD+N $R_s = 6.5K$ Ohms



1629SEA Phase Shift $R_s = 6.5K$ Ohms



Dimensional Details:

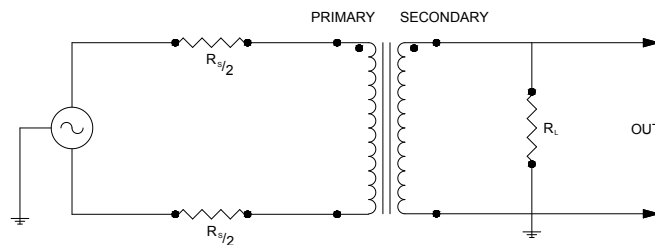


Label:

	HAMMOND MANUFACTURING.	1629SEA Audio Transformer
	30WATTS 20 - 20KHz PRIMARY 6500 Ohms SECONDARY 4 Ohms/8Ohms/16Ohms SCREEN TAP 40% OF PRI VOLTS	
Made In Canada		DATE

TYPICAL TEST CIRCUIT

Measurement instruments
 Hp4192a impedance analyzer
 Hp3456a DVM
 Keithley 2002 DVM
 D scope series iii audio analyzer
 Wayne Kerr 3255B with a 3265B



* All graphs input level 20dbu.
 ** The results are typical and are subject to normal manufacturing and electrical tolerances.