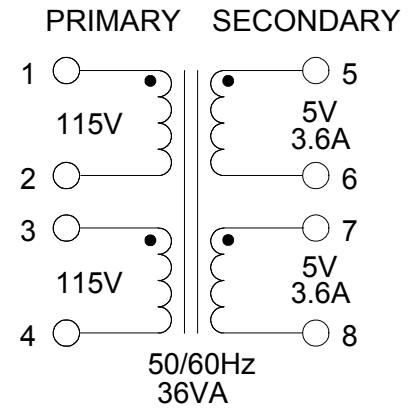
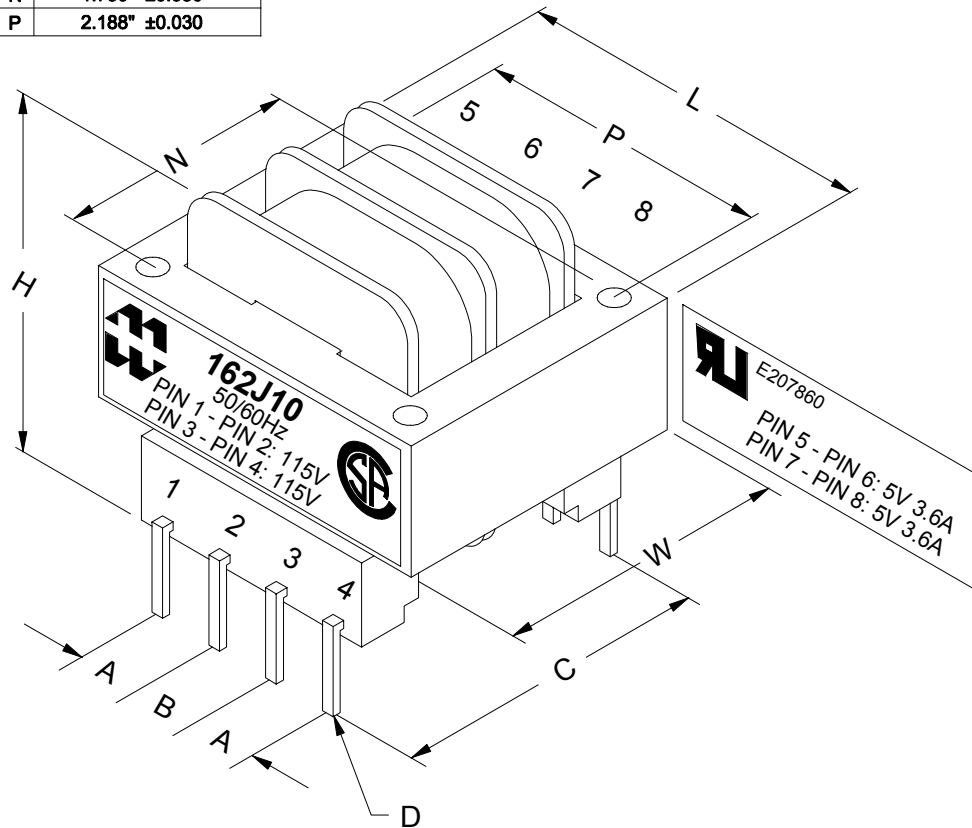


DIMENSIONS:	
L	2.625" ±0.030
W	2.188" ±0.030
H	1.563" ±0.030
A	0.400" ±0.030
B	0.400" ±0.030
C	1.850" ±0.030
D	0.041" x 0.018" ±0.005
N	1.750" ±0.030
P	2.188" ±0.030



ELECTRICAL DATA:		
TESTS	CONDITIONS	ACCEPTANCE CRITERIA
lex	@ 115V, 60Hz, PIN 1 - PIN 2	116.4mA Max.
Sec. N.L.V	@ 115V, 60Hz, PIN 1 - PIN 2	
	PIN 3 - PIN 4 =	115.0V ±2%
	PIN 5 - PIN 6 =	6.011V ±2%
	PIN 7 - PIN 8 =	6.011V ±2%
DCR	@ 20°C, PIN 1 - PIN 2 =	41.70 Ω ±20%
	@ 20°C, PIN 3 - PIN 4 =	41.70 Ω ±20%
	@ 20°C, PIN 5 - PIN 6 =	0.114 Ω ±20%
	@ 20°C, PIN 7 - PIN 8 =	0.114 Ω ±20%
HIPOT	PRIMARY - SECONDARY	2500V, 60Hz, 1 SEC

REV.#	REVISION	DATE	HAMMOND ELECTRONIC DIVISION		PH # (519) 886-6181 FAX # (519) 886-9540
0	RELEASED.	07/16/15	MANUFACTURING™		
			DWG. BY: C. ILIE	CHK'D BY:	TITLE: PC BOARD MOUNT POWER TRANSFORMER
			DATE: 07/16/15	APP'D. BY:	
				DIMENSIONS: IN(X) MM( )	DWG. NO. 162J10