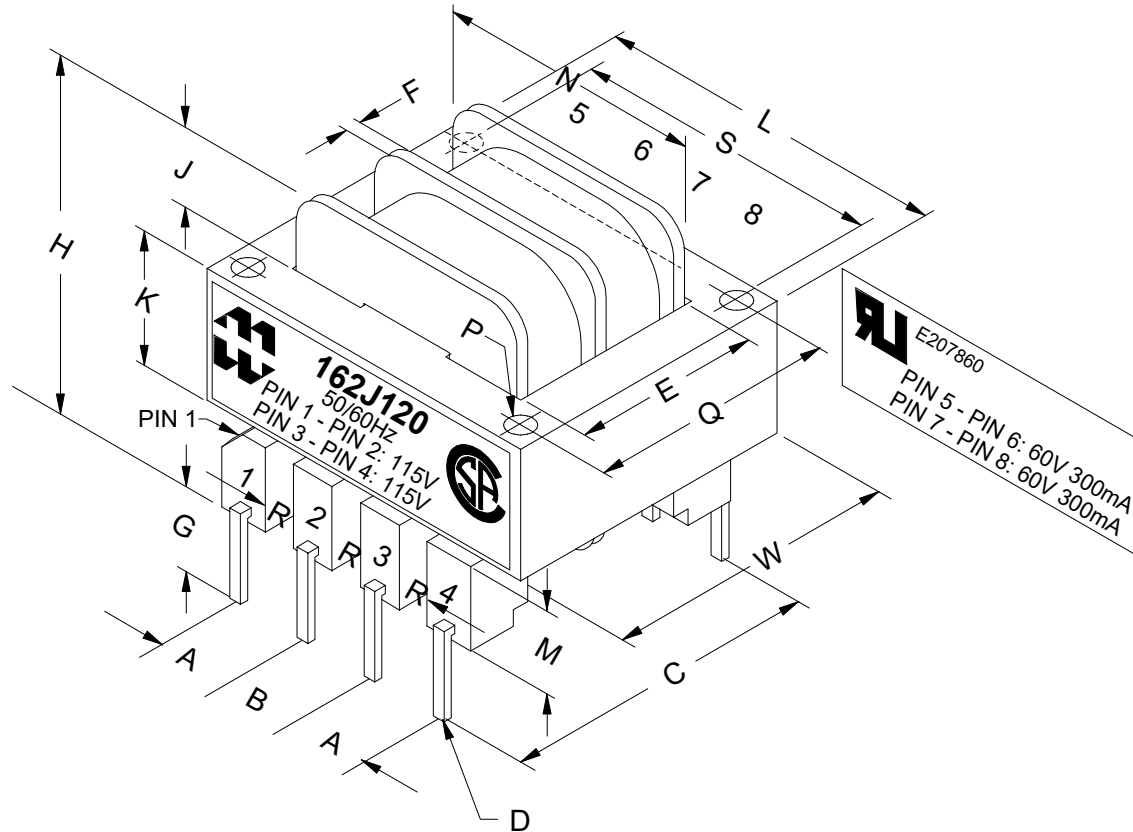
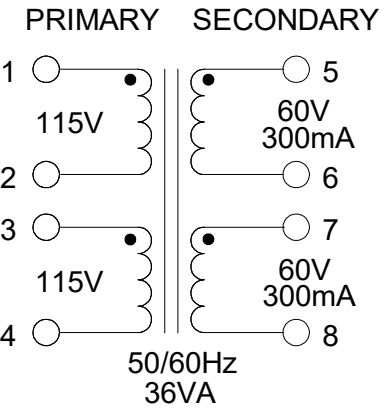


| DIMENSIONS: |                        |
|-------------|------------------------|
| A           | 0.400" ±0.030          |
| B           | 0.400" ±0.030          |
| C           | 1.840" ±0.030          |
| D           | 0.041" x 0.018" ±0.005 |
| E           | 1.280" ±0.030          |
| F           | 0.040" ±0.005          |
| G           | 0.188" ±0.005          |

| DIMENSIONS: |               |
|-------------|---------------|
| H           | 1.560" ±0.030 |
| J           | 0.420" ±0.030 |
| K           | 0.635" ±0.030 |
| L           | 2.625" ±0.030 |
| M           | 0.485" ±0.030 |
| N           | 1.720" ±0.030 |
| W           | 2.188" ±0.030 |

| DIMENSIONS: |               |
|-------------|---------------|
| P           | 0.156" ±0.015 |
| Q           | 1.750" ±0.030 |
| R           | 0.140" ±0.015 |
| S           | 2.188" ±0.015 |



PIN #'S EMBOSSED  
ON BOBBIN FLANGE

| ELECTRICAL DATA: |                             |                     |
|------------------|-----------------------------|---------------------|
| TESTS            | CONDITIONS                  | ACCEPTANCE CRITERIA |
| lex              | @ 115V, 60Hz, PIN 1 - PIN 2 | 116.4mA Max.        |
| Sec. N.L.V       | @ 115V, 60Hz, PIN 1 - PIN 2 |                     |
|                  | PIN 3 - PIN 4 =             | 115.0V ±2%          |
|                  | PIN 5 - PIN 6 =             | 70.57V ±2%          |
|                  | PIN 7 - PIN 8 =             | 70.57V ±2%          |
| DCR              | @ 20°C, PIN 1 - PIN 2 =     | 41.70 Ω ±20%        |
|                  | @ 20°C, PIN 3 - PIN 4 =     | 41.70 Ω ±20%        |
|                  | @ 20°C, PIN 5 - PIN 6 =     | 15.97 Ω ±20%        |
|                  | @ 20°C, PIN 7 - PIN 8 =     | 15.97 Ω ±20%        |
| HIPOT            | PRIMARY - SECONDARY         | 2500V, 60Hz, 1 SEC  |

| REV.# | REVISION  | DATE          |
|-------|-----------|---------------|
| 0     | RELEASED. | C.I. 04/19/24 |
|       |           |               |
|       |           |               |



**ELECTRONIC DIVISION**  
52 RANKIN PLACE,  
WATERLOO, ONTARIO, N2J 3Z5

PH # (519) 886-6181  
FAX # (519) 886-9540

|                         |            |
|-------------------------|------------|
| DWG. BY: C. ILIE        | CHK'D BY:  |
| DATE: 04/19/24          | APP'D. BY: |
| DIMENSIONS: IN(X) MM( ) |            |

TITLE: PC BOARD MOUNT  
POWER TRANSFORMER

DWG. NO.  
162J120