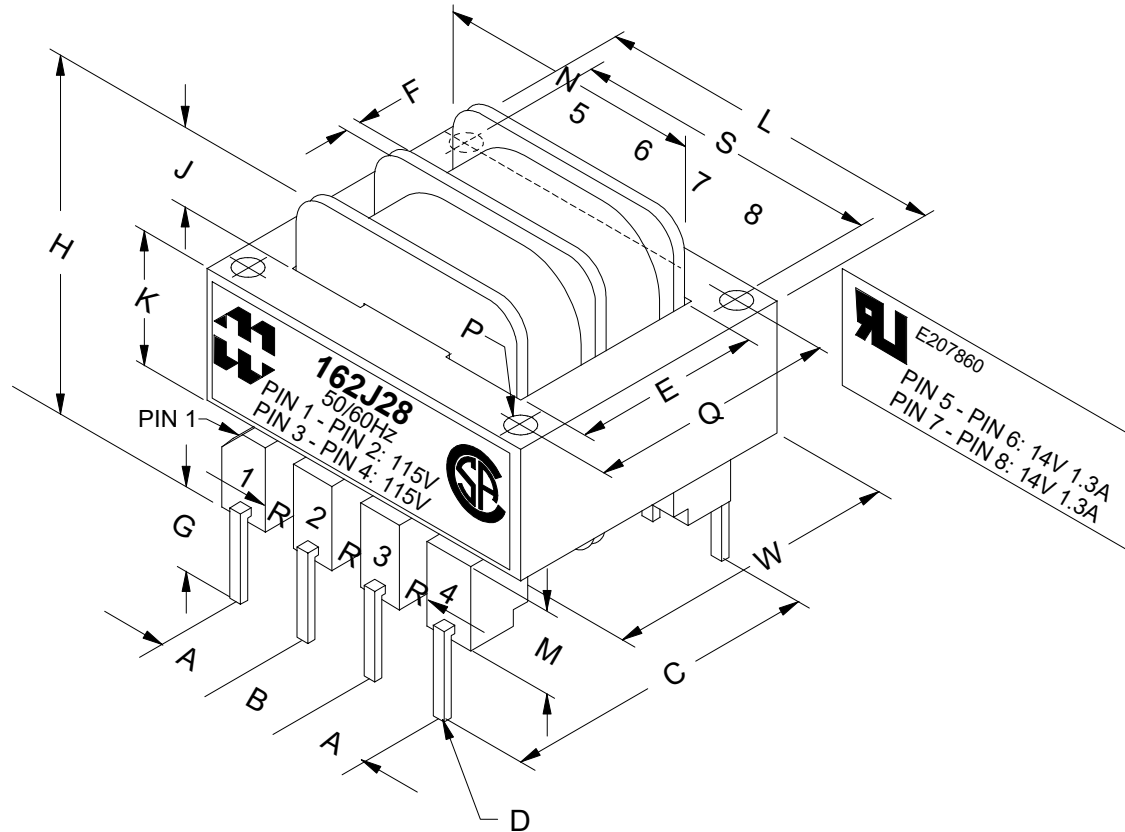
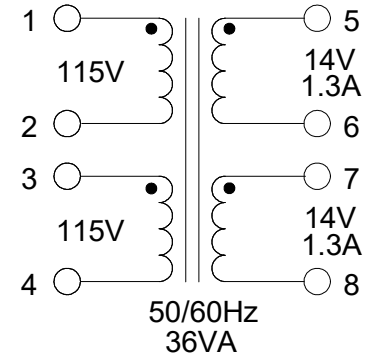


DIMENSIONS:	
A	0.400" ±0.030
B	0.400" ±0.030
C	1.840" ±0.030
D	0.041" x 0.018" ±0.005
E	1.280" ±0.030
F	0.040" ±0.005
G	0.188" ±0.005

DIMENSIONS:	
H	1.560" ±0.030
J	0.420" ±0.030
K	0.635" ±0.030
L	2.625" ±0.030
M	0.485" ±0.030
N	1.720" ±0.030
W	2.188" ±0.030

DIMENSIONS:	
P	0.156" ±0.015
Q	1.750" ±0.030
R	0.140" ±0.015
S	2.188" ±0.015

PRIMARY SECONDARY



PIN #'S EMBOSSED
ON BOBBIN FLANGE

ELECTRICAL DATA:		
TESTS	CONDITIONS	ACCEPTANCE CRITERIA
lex	@ 115V, 60Hz, PIN 1 - PIN 2	116.4mA Max.
Sec. N.L.V	@ 115V, 60Hz, PIN 1 - PIN 2	
	PIN 3 - PIN 4 =	115.0V ±2%
	PIN 5 - PIN 6 =	15.94V ±2%
	PIN 7 - PIN 8 =	15.94V ±2%
DCR	@ 20°C, PIN 1 - PIN 2 =	41.70 Ω ±20%
	@ 20°C, PIN 3 - PIN 4 =	41.70 Ω ±20%
	@ 20°C, PIN 5 - PIN 6 =	0.728 Ω ±20%
	@ 20°C, PIN 7 - PIN 8 =	0.728 Ω ±20%
HIPOT	PRIMARY - SECONDARY	2500V, 60Hz, 1 SEC

REV.#	REVISION	DATE
0	RELEASED.	C.I. 04/18/24

HAMMOND MANUFACTURING™
ELECTRONIC DIVISION
52 RANKIN PLACE,
WATERLOO, ONTARIO, N2J 3Z5
PH # (519) 886-6181
FAX # (519) 886-9540

DWG. BY: C. ILIE
DATE: 04/18/24

CHK'D BY:
APP'D. BY:
DIMENSIONS: IN(X) MM()

TITLE: PC BOARD MOUNT
POWER TRANSFORMER

DWG. NO.
162J28