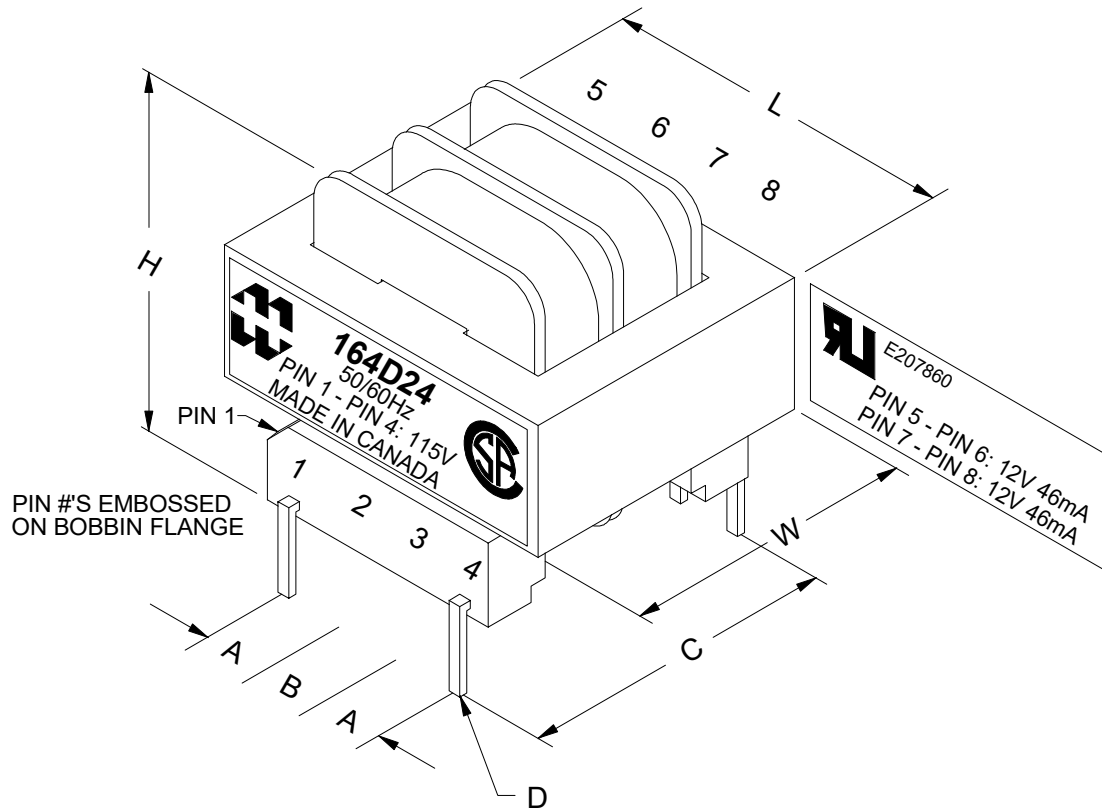
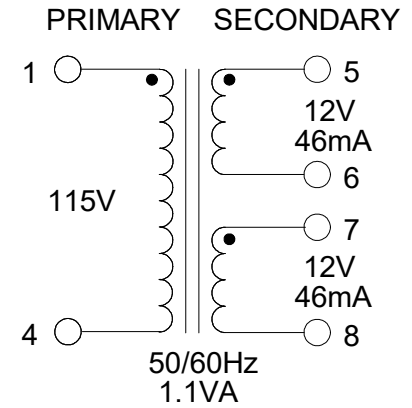


DIMENSIONS:	
L	1.375" ±0.030
W	1.125" ±0.030
H	0.938" ±0.030
A	0.250" ±0.030
B	0.250" ±0.030
C	1.220" ±0.030
D	0.041" x 0.018" ±0.005



ELECTRICAL DATA:		
TESTS	CONDITIONS	ACCEPTANCE CRITERIA
I _{ex}	@ 115V, 60Hz, PIN 1 - PIN 4	14.4mA Max.
Sec. N.L.V	@ 115V, 60Hz, PIN 1 - PIN 4	
	PIN 5 - PIN 6 =	17.16V ±2%
	PIN 7 - PIN 8 =	17.16V ±2%
DCR	@ 20°C, PIN 1 - PIN 4 =	933.1 Ω ±20%
	@ 20°C, PIN 5 - PIN 6 =	43.26 Ω ±20%
	@ 20°C, PIN 7 - PIN 8 =	43.26 Ω ±20%
HIPOT	PRIMARY - SECONDARY	2500V, 60Hz, 1 SEC

REV.#	REVISION	DATE	HAMMOND ELECTRONIC DIVISION		PH # (519) 886-6181
0	RELEASED.	C.I. 11/19/20	MANUFACTURING™ 52 RANKIN PLACE, WATERLOO, ONTARIO, N2J 3Z5		FAX # (519) 886-9540
			DWG. BY: C. ILIE	CHK'D BY:	TITLE: PC BOARD MOUNT POWER TRANSFORMER
			DATE:	APP'D. BY:	
				DIMENSIONS: IN(X) MM()	DWG. NO. 164D24