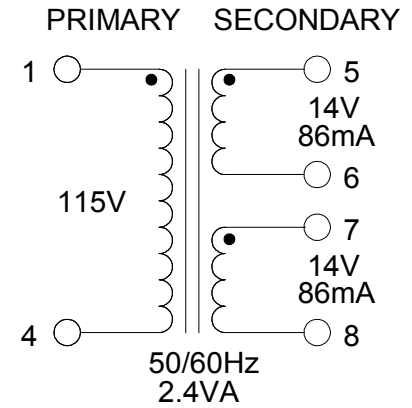
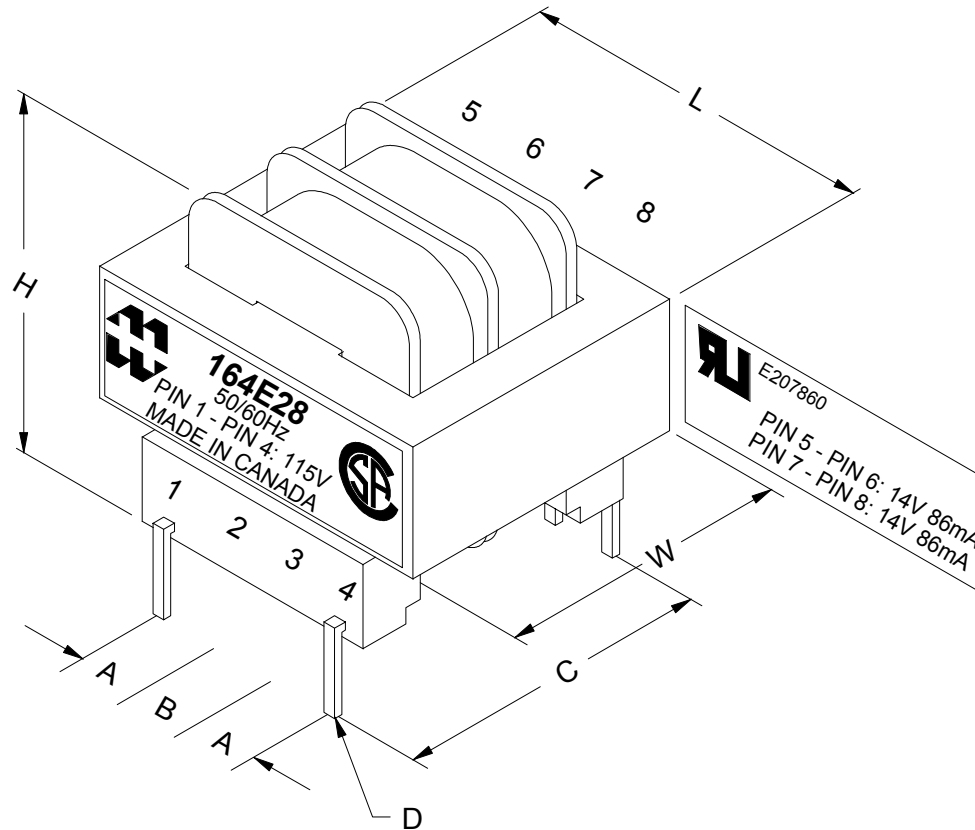


| DIMENSIONS: | |
|-------------|------------------------|
| L | 1.375" ±0.030 |
| W | 1.125" ±0.030 |
| H | 1.188" ±0.030 |
| A | 0.250" ±0.030 |
| B | 0.250" ±0.030 |
| C | 1.220" ±0.030 |
| D | 0.041" x 0.018" ±0.005 |



| ELECTRICAL DATA: | | |
|------------------|-----------------------------|---------------------|
| TESTS | CONDITIONS | ACCEPTANCE CRITERIA |
| Iex | @ 115V, 60Hz, PIN 1 - PIN 4 | 27.6mA Max. |
| Sec. N.L.V | @ 115V, 60Hz, PIN 1 - PIN 4 | |
| | PIN 5 - PIN 6 = | 16.83V ±2% |
| | PIN 7 - PIN 8 = | 16.83V ±2% |
| DCR | @ 20°C, PIN 1 - PIN 4 = | 281.9 Ω ±20% |
| | @ 20°C, PIN 5 - PIN 6 = | 12.79 Ω ±20% |
| | @ 20°C, PIN 7 - PIN 8 = | 12.79 Ω ±20% |
| HIPOT | PRIMARY - SECONDARY | 2500V, 60Hz, 1 SEC |

| REV.# | REVISION | DATE | HAMMOND ELECTRONIC DIVISION | | PH # (519) 886-6181 FAX # (519) 886-9540 |
|-------|-----------|---------------|--|-------------------------|---|
| 0 | RELEASED. | C.I. 04/10/19 | 52 RANKIN PLACE, WATERLOO, ONTARIO, N2J 3Z5 | | |
| | | | DWG. BY: C. ILIE | CHK'D BY: | TITLE: PC BOARD MOUNT POWER TRANSFORMER |
| | | | DATE: 04/10/19 | APP'D. BY: | |
| | | | | DIMENSIONS: IN(X) MM() | DWG. NO. 164E28 |