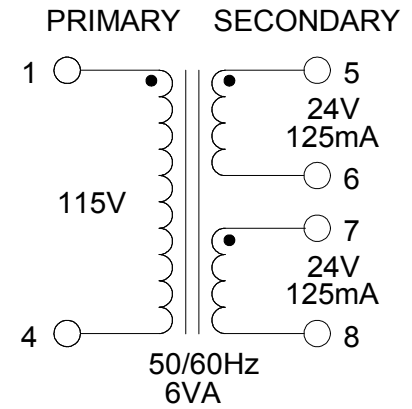
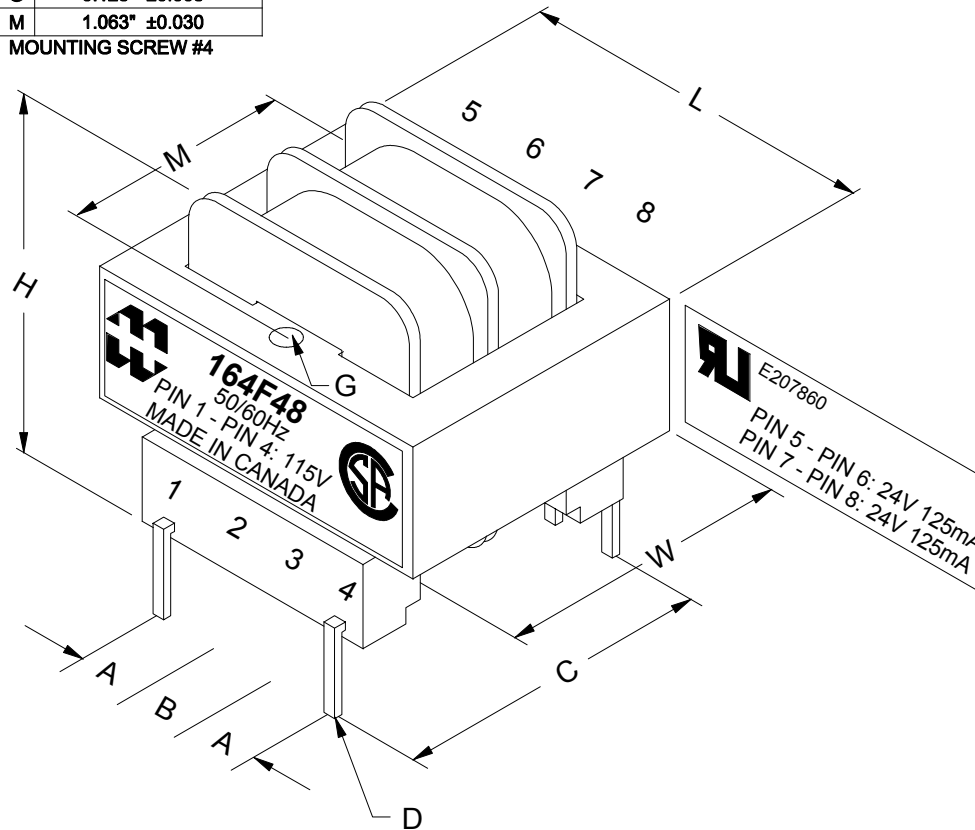


DIMENSIONS:	
L	1.625" ±0.030
W	1.313" ±0.030
H	1.313" ±0.030
A	0.250" ±0.030
B	0.350" ±0.030
C	1.280" ±0.030
D	0.041" x 0.018" ±0.005
G	0.125" ±0.005
M	1.063" ±0.030

MOUNTING SCREW #4



ELECTRICAL DATA:		
TESTS	CONDITIONS	ACCEPTANCE CRITERIA
Iex	@ 115V, 60Hz, PIN 1 - PIN 4	46.8mA Max.
Sec. N.L.V	@ 115V, 60Hz, PIN 1 - PIN 4	
	PIN 5 - PIN 6 =	28.75V ±2%
	PIN 7 - PIN 8 =	28.75V ±2%
DCR	@ 20°C, PIN 1 - PIN 4 =	127.1 Ω ±20%
	@ 20°C, PIN 5 - PIN 6 =	16.49 Ω ±20%
	@ 20°C, PIN 7 - PIN 8 =	16.49 Ω ±20%
HIPOT	PRIMARY - SECONDARY	2500V, 60Hz, 1 SEC

REV.#	REVISION	DATE
0	RELEASED.	C.I. 06/11/19

HAMMOND MANUFACTURING™	ELECTRONIC DIVISION 52 RANKIN PLACE, WATERLOO, ONTARIO, N2J 3Z5		PH # (519) 886-6181 FAX # (519) 886-9540
	DWG. BY: C. ILIE DATE: 06/11/19	CHK'D BY: APP'D. BY: DIMENSIONS: IN(X) MM()	TITLE: PC BOARD MOUNT POWER TRANSFORMER