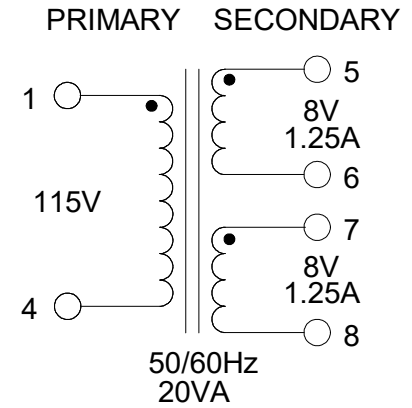
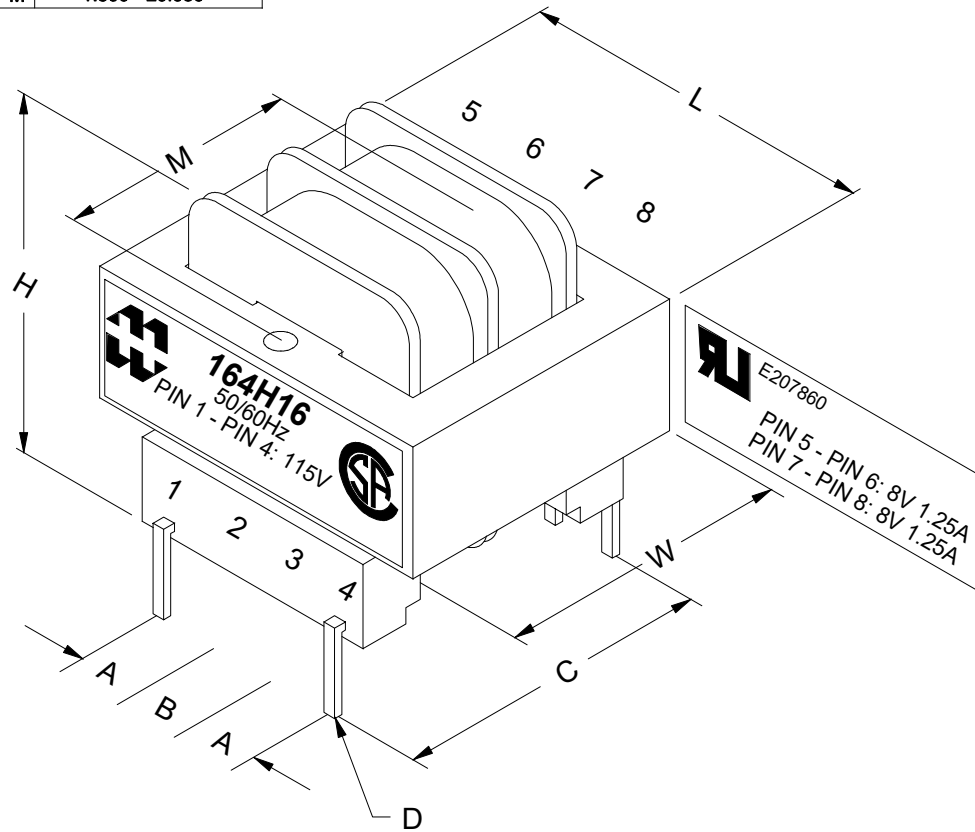


DIMENSIONS:	
L	2.250" ±0.030
W	1.875" ±0.030
H	1.438" ±0.030
A	0.300" ±0.030
B	0.400" ±0.030
C	1.590" ±0.030
D	0.041" x 0.018" ±0.005
M	1.500" ±0.030



ELECTRICAL DATA:		
TESTS	CONDITIONS	ACCEPTANCE CRITERIA
Iex	@ 115V, 60Hz, PIN 1 - PIN 4	74.4mA Max.
Sec. N.L.V	@ 115V, 60Hz, PIN 1 - PIN 4	
	PIN 5 - PIN 6 =	9.744V ±2%
	PIN 7 - PIN 8 =	9.744V ±2%
DCR	@ 20°C, PIN 1 - PIN 2 =	34.31 Ω ±20%
	@ 20°C, PIN 5 - PIN 6 =	0.573 Ω ±20%
	@ 20°C, PIN 7 - PIN 8 =	0.573 Ω ±20%
HIPOT	PRIMARY - SECONDARY	2500V, 60Hz, 1 SEC

REV.#	REVISION	DATE	HAMMOND ELECTRONIC DIVISION	
0	RELEASED.	C.I. 06/10/21	52 RANKIN PLACE, WATERLOO, ONTARIO, N2J 3Z5	
			PH # (519) 886-6181	FAX # (519) 886-9540
			DWG. BY: C. ILIE	CHK'D BY:
			DATE: 06/10/21	APP'D. BY:
			DIMENSIONS: IN(X) MM()	TITLE: PC BOARD MOUNT POWER TRANSFORMER
				DWG. NO. 164H16