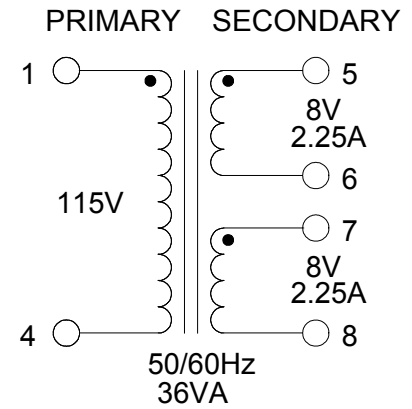
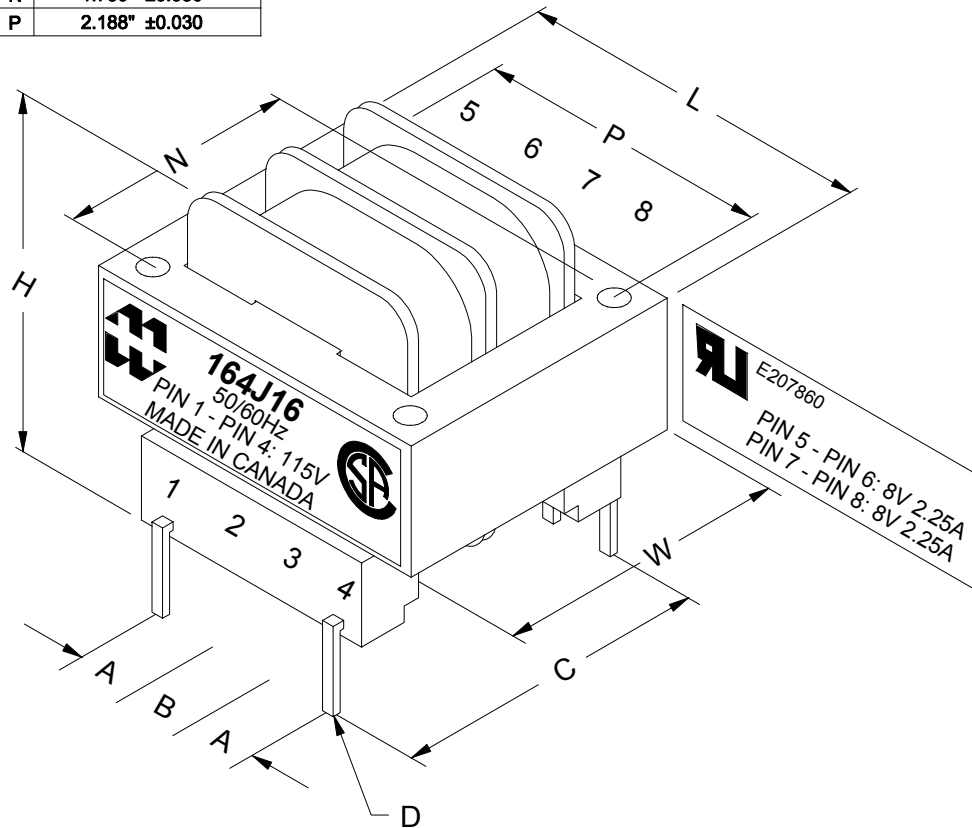


DIMENSIONS:	
L	2.625" ±0.030
W	2.188" ±0.030
H	1.563" ±0.030
A	0.400" ±0.030
B	0.400" ±0.030
C	1.850" ±0.030
D	0.041" x 0.018" ±0.005
N	1.750" ±0.030
P	2.188" ±0.030



ELECTRICAL DATA:		
TESTS	CONDITIONS	ACCEPTANCE CRITERIA
Iex	@ 115V, 60Hz, PIN 1 - PIN 4	97.2mA Max.
Sec. N.L.V	@ 115V, 60Hz, PIN 1 - PIN 4	
	PIN 5 - PIN 6 =	9.670V ±2%
	PIN 7 - PIN 8 =	9.670V ±2%
DCR	@ 20°C, PIN 1 - PIN 4 =	20.63 Ω ±20%
	@ 20°C, PIN 5 - PIN 6 =	0.281 Ω ±20%
	@ 20°C, PIN 7 - PIN 8 =	0.281 Ω ±20%
HIPOT	PRIMARY - SECONDARY	2500V, 60Hz, 1 SEC

REV.#	REVISION	DATE	HAMMOND ELECTRONIC DIVISION		PH # (519) 886-6181 FAX # (519) 886-9540
0	RELEASED. C.I.	11/17/15	52 RANKIN PLACE, WATERLOO, ONTARIO, N2J 3Z5		
			DWG. BY: C. ILIE	CHK'D BY:	TITLE: PC BOARD MOUNT POWER TRANSFORMER
			DATE: 11/17/15	APP'D. BY:	
				DIMENSIONS: IN(X) MM()	DWG. NO. 164J16