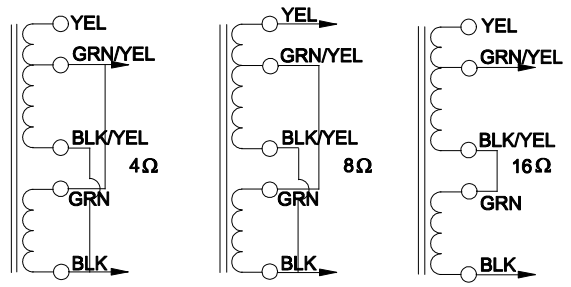
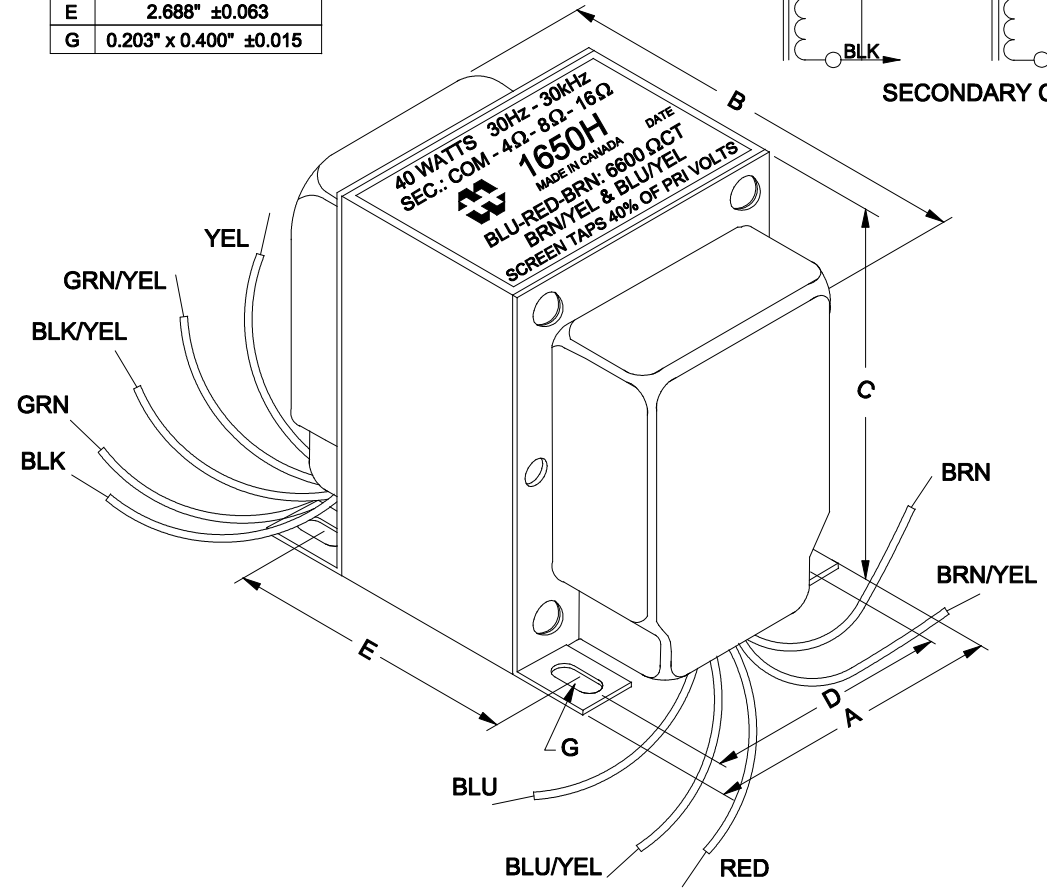
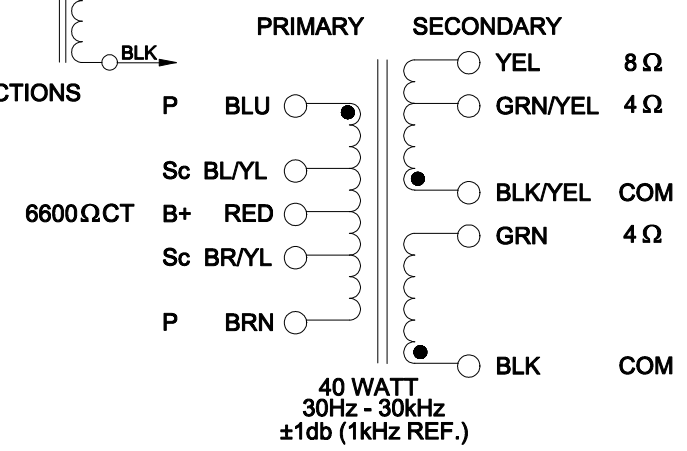


DIMENSIONS:	
A	3.125" ±0.063
B	3.936" ±0.125
C	3.796" ±0.063
D	2.500" ±0.063
E	2.688" ±0.063
G	0.203" x 0.400" ±0.015



SECONDARY CONNECTIONS



NOTE: ALL LEADS 8" OUT MIN., STRIP .25".

ELECTRICAL DATA:		
TESTS	CONDITIONS	ACCEPTANCE CRITERIA
I _{ex}	@ 240V, 60Hz, BLU - BRN	6mA Max.
Sec. N.L.V	@ 240V, 60Hz, BLU - BRN	
	BLU - BLU/YEL =	70.82V ±2%
	BLU - RED = RED - BRN =	120.0V ±2%
	BLU - BRN/YEL =	169.2V ±2%
	BLK - GRN =	5.911V ±2%
	BLK/YEL - GRN/YEL =	5.911V ±2%
	BLK/YEL - YEL =	8.394V ±2%
DCR	@ 20°C, BLU - BRN =	145.0 Ω ±20%
	@ 20°C, BLK - GRN =	0.160 Ω ±20%
	@ 20°C, BLK/YEL - YEL =	0.272 Ω ±20%
HIPOT	PRIMARY - SECONDARY	2000V, 60Hz, 1 SEC

REV.#	REVISION	DATE
0	RELEASED. C.I.	08/26/16

HAMMOND MANUFACTURING™ ELECTRONIC DIVISION
 52 RANKIN PLACE, WATERLOO, ONTARIO, N2J 3Z5
 PH # (519) 886-6181 FAX # (519) 886-9540

DWG. BY: C. ILIE	CHK'D BY:	TITLE: PUSH-PULL	DWG. NO.
DATE: 08/26/16	APP'D. BY:	OUTPUT TRANSFORMER	1650H
	DIMENSIONS: IN(X) MM()		