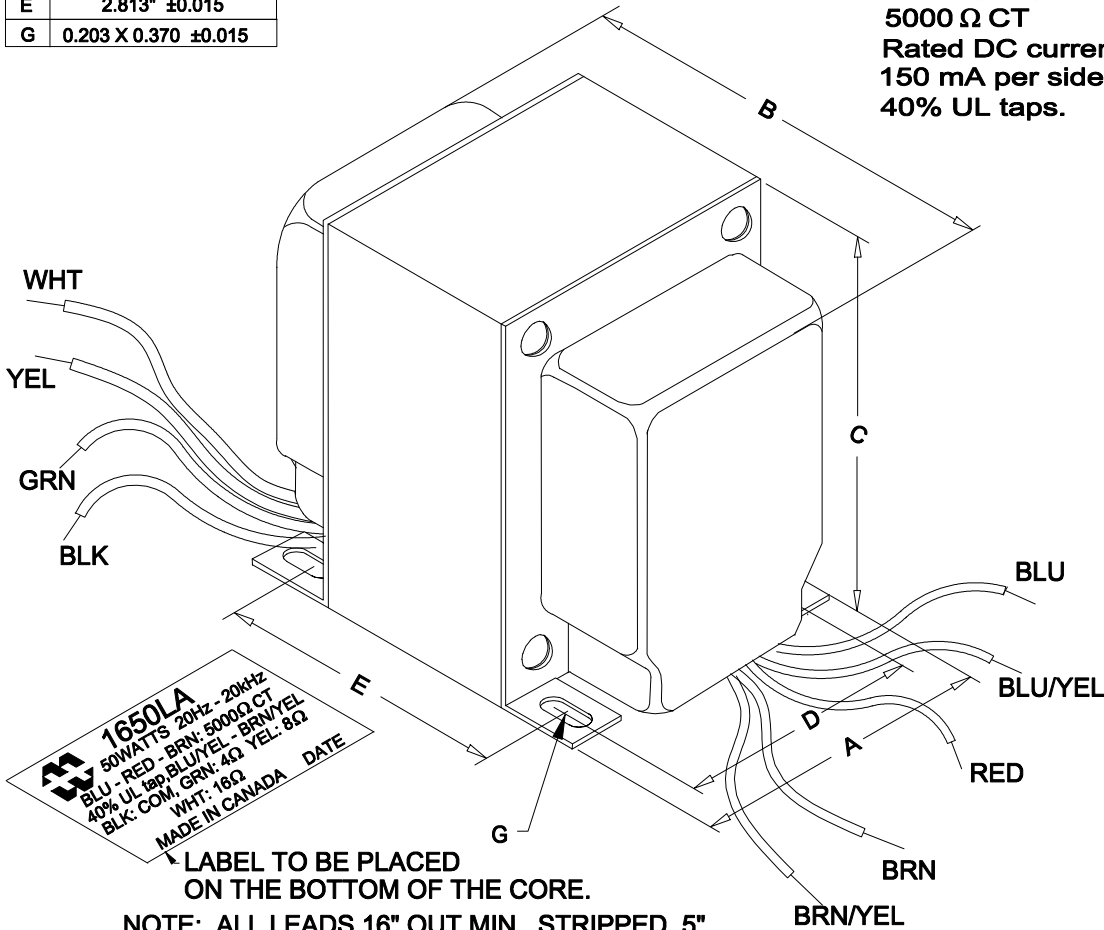
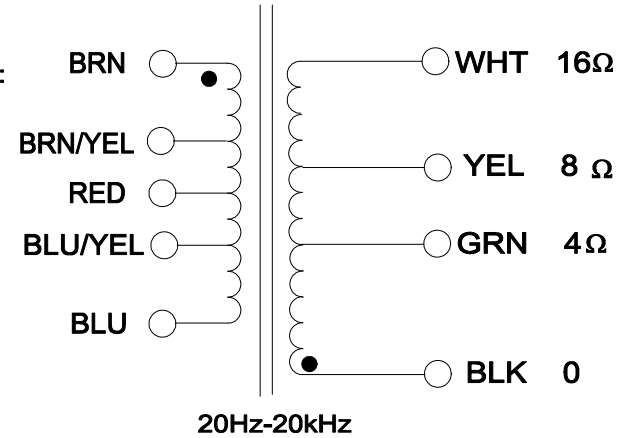


DIMENSIONS:	
A	3.750" ±0.063
B	3.963" ±0.125
C	4.600" MAX
D	3.00" ±0.063
E	2.813" ±0.015
G	0.203 X 0.370 ±0.015



Primary impedance:  
5000 Ω CT  
Rated DC current:  
150 mA per side.  
40% UL taps.

PRIMARY SECONDARY



**1650LA**  
50WATTS 20Hz - 20kHz  
BLU - RED - BRN: 5000Ω CT  
40% UL TAP BLU/YEL - BRN/YEL  
BLK: COM. GRN: 4Ω YEL: 8Ω  
WHT: 16Ω  
MADE IN CANADA DATE

→ LABEL TO BE PLACED ON THE BOTTOM OF THE CORE.  
NOTE: ALL LEADS 16" OUT MIN., STRIPPED .5"  
Similar to Stancor #A-8053

ELECTRICAL DATA:		
TESTS	CONDITIONS	ACCEPTANCE CRITERIA
I <sub>ex</sub>	@ 240.0V, 60Hz, BLU - BRN	5 mA Max
Sec. N.L.V	@ 240.0V, 60Hz, BLU - BRN	
	BLU - RED = RED - BRN =	120.0V ±2%
	BLK - GRN =	6.786V ±2%
	BLK - YEL =	9.600 V ±2%
	BLK - WHT =	13.57 V ±2%
DCR	@ 20°C, BLU - BRN =	122.0 Ω ±20%
	@ 20°C, BLK - GRN =	0.380 Ω ±20%
FREQ. RESP.	20 HZ TO 50 KHZ.	+/- 1dB
WEIGHT		7.5 LBS
HIPOT	PRIMARY - SECONDARY/CORE	2000V, 60Hz, 1 SEC

REV.#	REVISION	DATE	HAMMOND ELECTRONIC DIVISION		PH # (519) 886-6181 FAX # (519) 886-9540
0	Released	07/11/21	MANUFACTURING™		
			DWG. BY: D.HUTT	CHK'D BY:	TITLE: HiFi OUTPUT TSFR
			DATE: 07/11/21	APP'D. BY:	
				DIMENSIONS: IN(X) MM ( )	DWG. NO. 1650LA