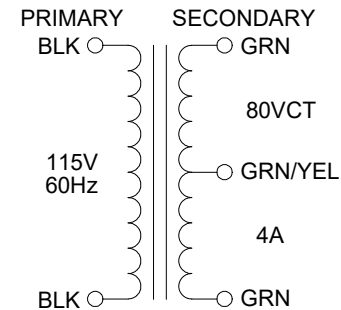
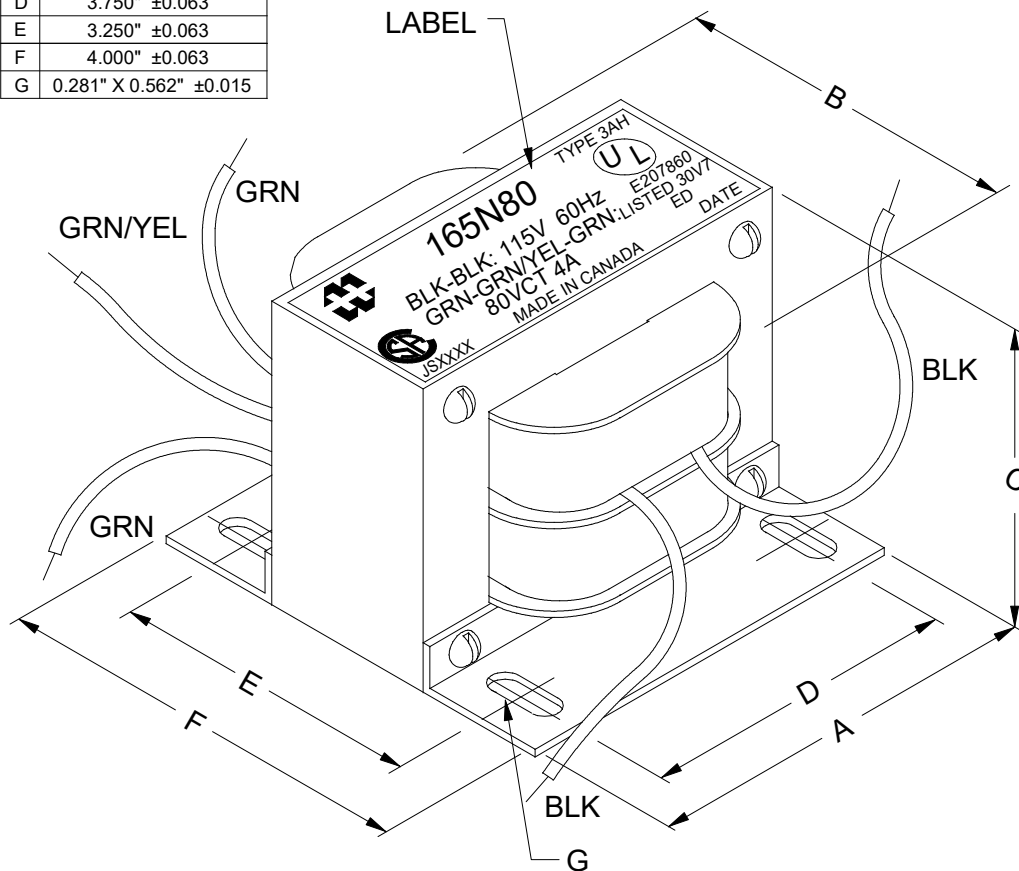


DIMENSIONS:	
A	4.500" ±0.063
B	4.063" ±0.125
C	3.750" ±0.063
D	3.750" ±0.063
E	3.250" ±0.063
F	4.000" ±0.063
G	0.281" X 0.562" ±0.015



NOTE: ALL LEADS 6" OUT MIN. STRIPPED 0.5"

ELECTRICAL DATA:		
TESTS	CONDITIONS	ACCEPTANCE CRITERIA
Iex	@ 115V, 60Hz, BLK - BLK	516mA Max.
Sec. N.L.V	@ 115V, 60Hz, BLK - BLK	
	GRN - GRN/YEL = GRN/YEL - GRN =	41.53V ±2%
	GRN - GRN =	83.06V ±2%
DCR	@ 20°C, BLK - BLK =	0.557 Ω ±20%
	@ 20°C, GRN - GRN =	0.313 Ω ±20%
HIPOT	PRIMARY - SECONDARY	2000V, 60Hz, 1 SEC

REV.#	REVISION	DATE	HAMMOND MANUFACTURING™		ELECTRONIC DIVISION	
0	RELEASED.	C.I. 04/05/24	52 RANKIN PLACE,		PH # (519) 886-6181	
			WATERLOO, ONTARIO, N2J 3Z5		FAX # (519) 886-9540	
			DWG. BY: C. ILIE	CHK'D BY:	TITLE: POWER	DWG. NO.
			DATE: 04/05/24	APP'D. BY:	TRANSFORMER	165N80
				DIMENSIONS: IN(X) MM()		