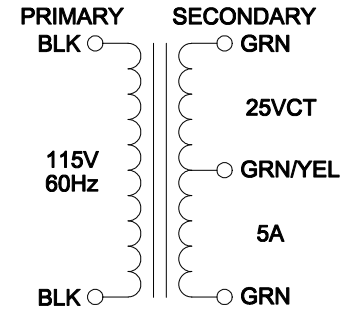
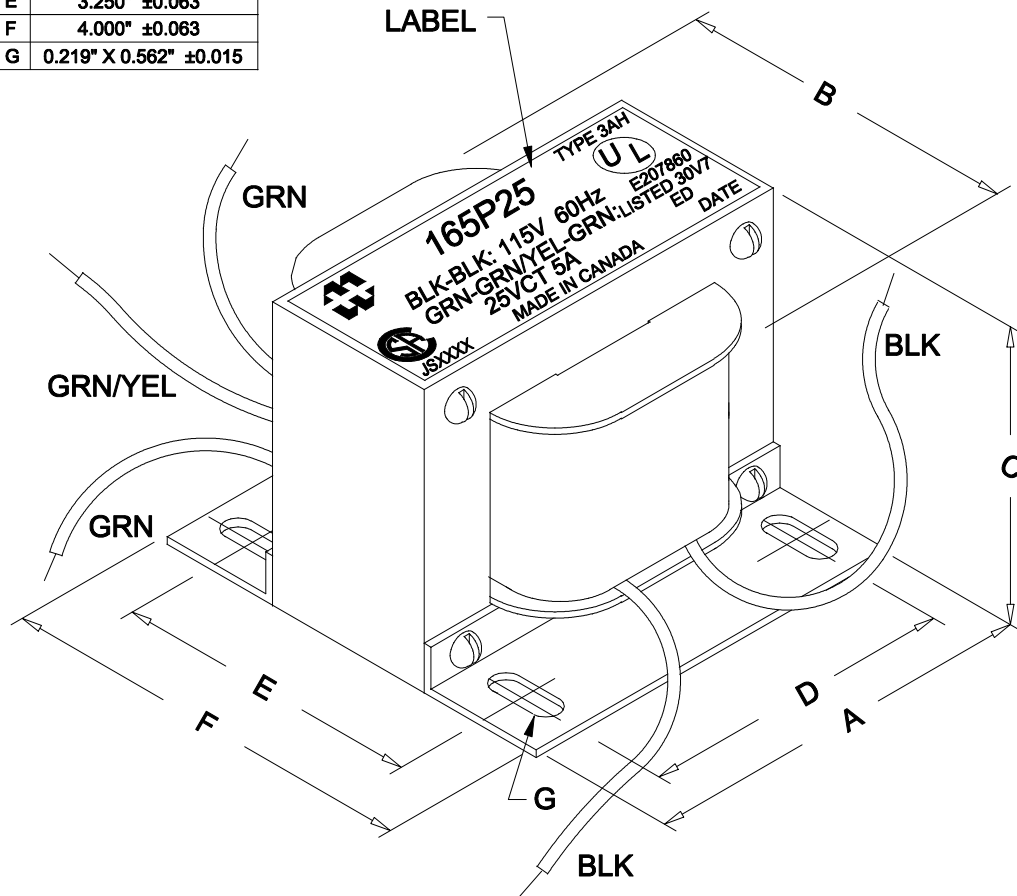


DIMENSIONS:	
A	3.000" ±0.063
B	3.250" ±0.125
C	2.560" ±0.063
D	2.500" ±0.063
E	3.250" ±0.063
F	4.000" ±0.063
G	0.219" X 0.562" ±0.015



NOTE: ALL LEADS 6" OUT MIN. STRIPPED 0.5"

ELECTRICAL DATA:		
TESTS	CONDITIONS	ACCEPTANCE CRITERIA
I _{ex}	@ 115V, 60Hz, BLK - BLK	326.4mA Max.
Sec. N.L.V	@ 115V, 60Hz, BLK - BLK	
	GRN - GRN/YEL = GRN/YEL - GRN =	13.39V ±2%
	GRN - GRN =	26.79V ±2%
DCR	@ 20°C, BLK - BLK =	1.850 Ω ±20%
	@ 20°C, GRN - GRN =	0.132 Ω ±20%
HIPOT	PRIMARY - SECONDARY	2000V, 60Hz, 1 SEC

REV.#	REVISION	DATE	HAMMOND ELECTRONIC DIVISION	
0	RELEASED.	C.I. 03/04/24	52 RANKIN PLACE, WATERLOO, ONTARIO, N2J 3Z5	
			PH # (519) 886-6181	FAX # (519) 886-9540
			DWG. BY: C. ILIE	CHK'D BY:
			DATE: 03/04/24	APP'D. BY:
			DIMENSIONS: IN(X) MM()	
			TITLE: POWER TRANSFORMER	DWG. NO. 165P25