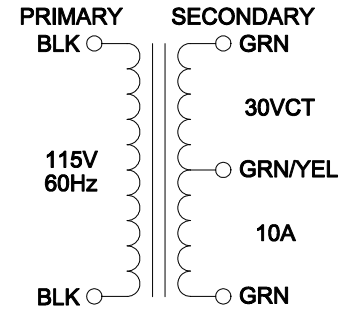
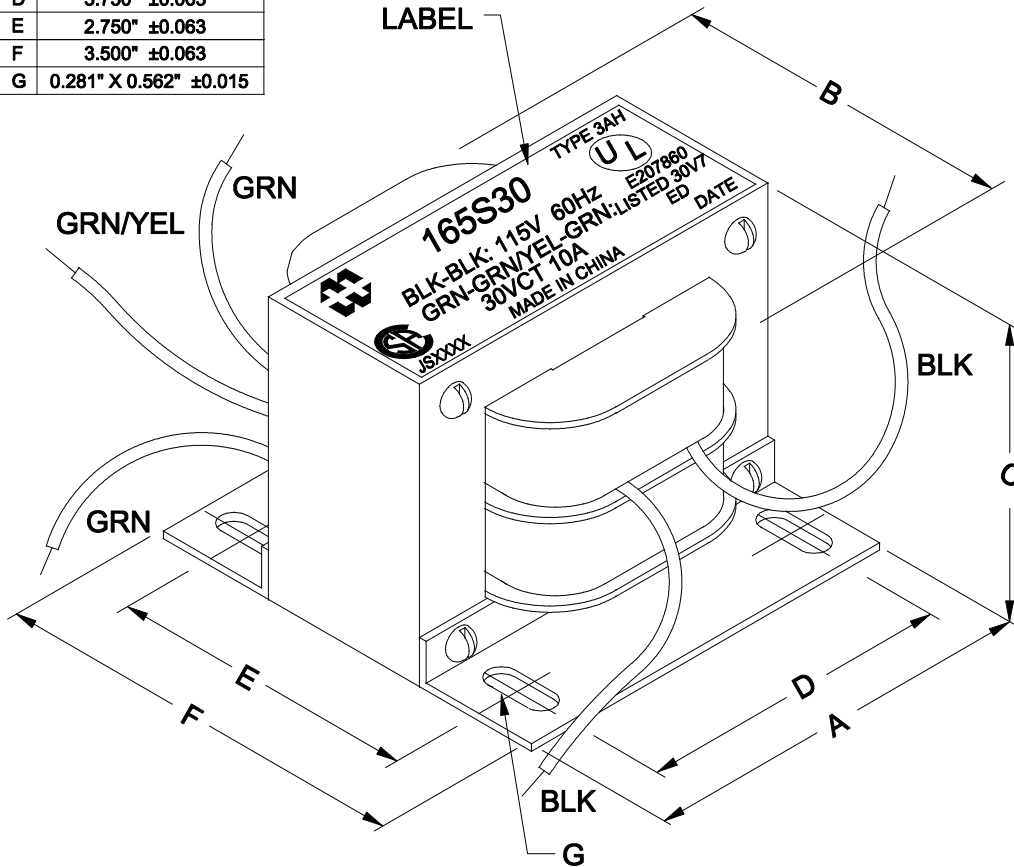


DIMENSIONS:	
A	4.500" ±0.063
B	3.875" ±0.125
C	3.750" ±0.063
D	3.750" ±0.063
E	2.750" ±0.063
F	3.500" ±0.063
G	0.281" X 0.562" ±0.015



NOTE: ALL LEADS 6" OUT MIN. STRIPPED 0.5"

ELECTRICAL DATA:		
TESTS	CONDITIONS	ACCEPTANCE CRITERIA
Iex	@ 115V, 60Hz, BLK - BLK	346.8mA Max.
Sec. N.L.V	@ 115V, 60Hz, BLK - BLK	
	GRN - GRN/YEL = GRN/YEL - GRN =	15.89V ±2%
	GRN - GRN =	31.79V ±2%
DCR	@ 20°C, BLK - BLK =	1.053 Ω ±20%
	@ 20°C, GRN - GRN =	0.073 Ω ±20%
HIPOT	PRIMARY - SECONDARY	2000V, 60Hz, 1 SEC

REV.#	REVISION	DATE	HAMMOND ELECTRONIC DIVISION	
0	RELEASED. C.I.	07/16/15	52 RANKIN PLACE, WATERLOO, ONTARIO, N2J 3Z5	
			PH # (519) 886-6181	FAX # (519) 886-9540
			DWG. BY: C. ILIE	CHK'D BY:
			DATE: 07/16/15	APP'D. BY:
			DATE: 07/16/15	DIMENSIONS: IN(X) MM()
			TITLE: POWER TRANSFORMER	DWG. NO. 165S30